

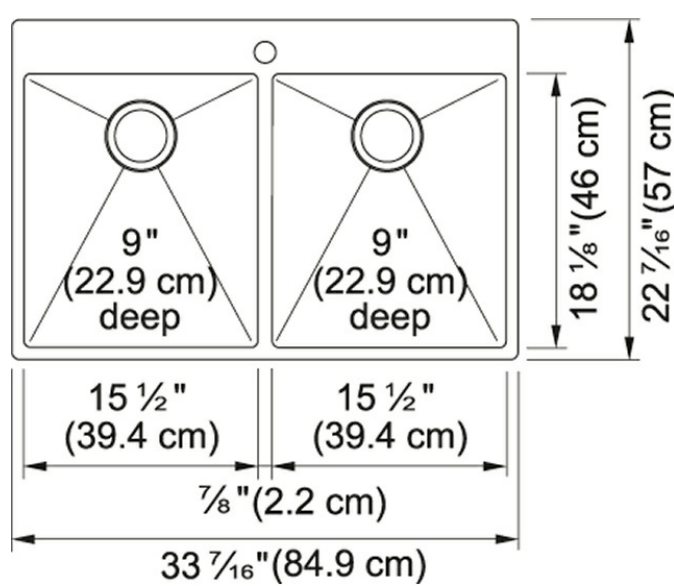
## Vector HF3322-1 Stainless Steel

Franke Vector kitchen sinks provide Swiss precision design to your wonderful kitchen in an affordable package. The sleek slim-rim design and minimal radius corners give the Vector series a professional, modern look that is still easy to clean. Vector series kitchen and prep sinks are hand fabricated, ranging in size from single bowl, double bowl and triple bowl. The large and deep bowls make large items more manageable and Franke's Fast-in unique quick install system to make life easier.

### Product Picture



### Technical Drawing



### Product Dimensions

Length overall	22"
Width overall	33"
Depth Overall	9"
Length of large bowl	18"
Width of large bowl	15 1/2"
Depth of large bowl	9"
Minimum Cabinet Size	36"

### General Information

Type of Material	18 Gauge Stainless Steel
Number of Bowls	2
Faucet Hole	1
Where to buy	Home Center

### Article Numbers

FUN#	127.0371.976
US Part Number	EVXA620901E

