

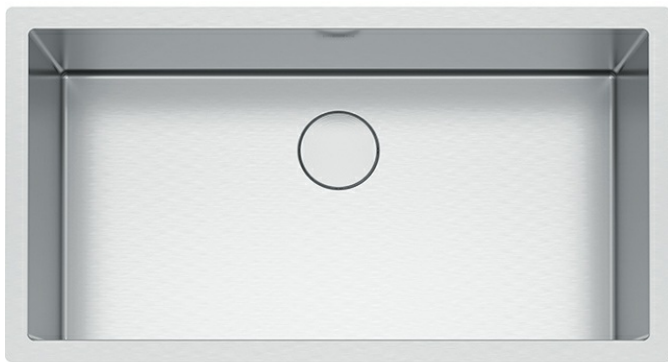
Professional 2.0 PS2X110-33 Stainless Steel Kitchen Sink

The Professional 2.0 sink collection boasts refined touches for the home chef. Made of 16-gauge commercial-grade stainless steel with a beautiful Diamond finish that takes minimal care to maintain a clean, attractive look.

FEATURES

- **Reveal Accessory Ledge:** Sink is installed as an undermount with a 0.5-in reveal so that custom-fit accessories can work within the sink to create a seamless workflow while prepping meals.
- **Seamless Drain Cover:** The removable drain cover was designed to sit flush over the drain to keep glassware from tipping over and to maximize the usable bottom surface of the bowl. Drain cover included.
- **Deep Capacity Bowl:** A large deep bowl makes it easy to clean cookware items and minimizes splashing, offering the form and function you expect from your sink.

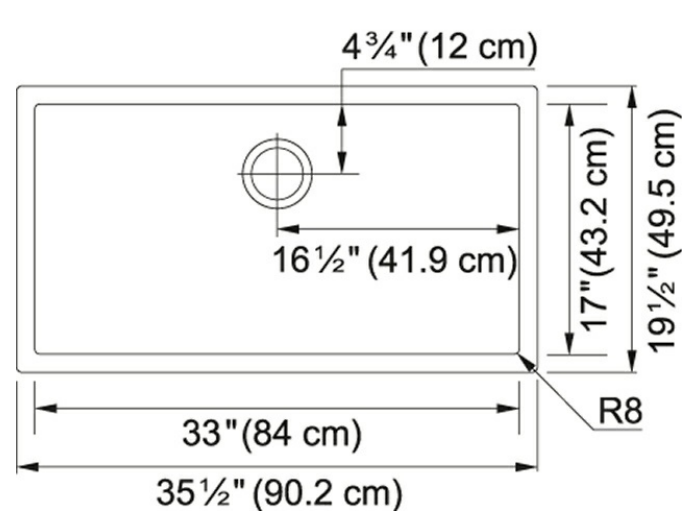
Product Picture



Product Dimensions

Length overall	35 1/2"
Width overall	19 1/2"
Length of large bowl	33"
Width of large bowl	17"
Depth of large bowl	10"
Minimum Cabinet Size	39"

Technical Drawing



General Information

Type of Material	16 Gauge Stainless Steel
Number of Bowls	1
Installation Clips	Yes
Cut-Out Template	Yes

Article Numbers

FUN#	122.0530.941
US Part Number	PS2X110-33

