

Professional 2 PS2X110-21 Stainless Steel

Franke's Professional 2, the second generation of this hard-working sink, features an updated diamond stainless finish and modern lines that offer enduring beauty for years. Made of 16 gauge, commercial-grade T304 stainless steel and available in a variety of size and configuration options, it's the perfect partner for the serious home chef. The rear offset drain maximizes the usable bottom surface of the bowl while also creating extra cabinet space beneath the sink. The thoughtful flush drain design functions like a traditional drain while maintaining the even surface of the basin. Add custom accessories such as a cutting board, colander or roller mat which are perfectly sized for the Professional 2 series sinks.

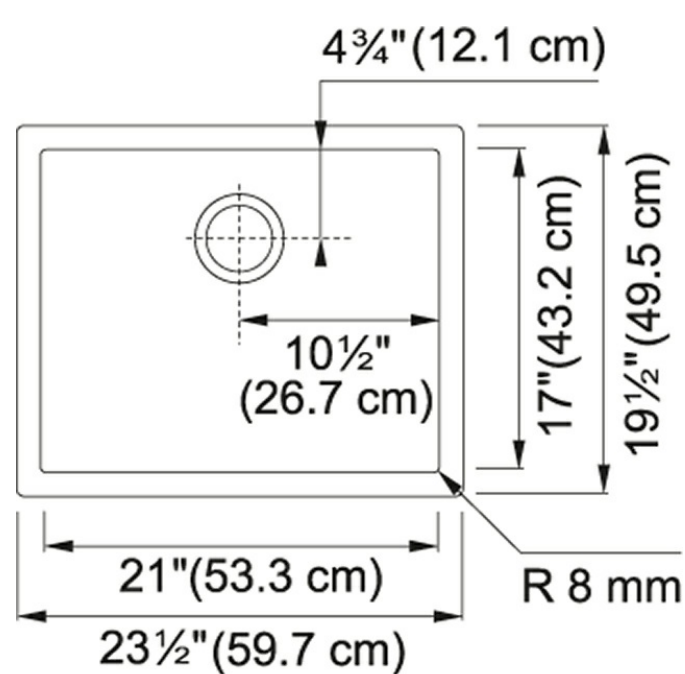
Product Picture



Product Dimensions

| | |
|----------------------|-----------|
| Length overall | 23 1/2" |
| Width overall | 19 1/2" |
| Length of large bowl | 21" |
| Width of large bowl | 16 15/16" |
| Depth of large bowl | 10" |
| Minimum Cabinet Size | 27" |

Technical Drawing



General Information

| | |
|--------------------|--------------------------|
| Type of Material | 16 Gauge Stainless Steel |
| Number of Bowls | 1 |
| Installation Clips | Yes |
| Cut-Out Template | Yes |
| Where to buy | Showroom |

Article Numbers

| | |
|----------------|--------------|
| FUN# | 122.0530.923 |
| US Part Number | PS2X110-21 |

