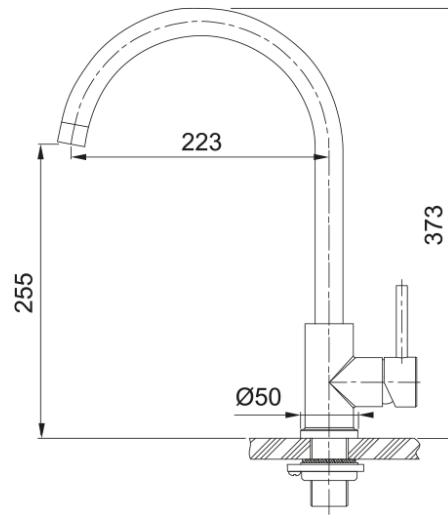


Saturn Arc Swivel | 115.0562.895



Saturn Arc Swivel, Stainless Steel finish, Overall height 373mm, Side Lever, Ceramic Disk Cartridge with Anti-sold Smart Lime Cleaning Aerator. 15 Year warranty on body construction.

Product Information

Spout version	J - spout
Color	Stainless Steel
Type of material	Stainless steel 304

Dimensions

Height overall	373.0
Tap hole diameter	35 mm
Cartridge dimension	35 mm

Installation

Fixation type	shank
Water supply hose connection	1/2"
Water supply hose length	450 mm

Product specifications

Pressure	High Pressure
Version	Swivel
Tap operation	side lever
Tap rotation	360°

Product identification

Product brand	FRANKE
Product family	Smart
Model range	SATURN

Properties

Eco water saving	no
Type of aerator	Honeycomb