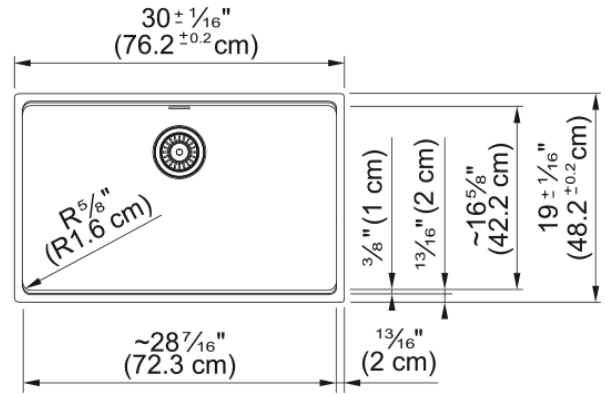


# Maris Undermount Sink - MAG11028-CHA | 125.0687.015



30-in. x 19.0-in. Undermount Fraganite Single Bowl Kitchen Sink in Champagne. Maris sinks are equipped with deep capacity bowls that can easily fit baking trays, pots, and pans to be washed with maximum ease. With our easy-to-use integrated ledge system, you'll accomplish more with your sink while making the most of your surrounding counter space. The rear drain maximizes the usable surface of the bowl and creates extra cabinet space beneath the sink. Maris Fraganite sinks are scratch-resistant, fade-resistant, and impact resistant and will retain their new appearance for years. Sink strainer assembly included.

## Aspect

|                  |            |
|------------------|------------|
| Sink type        | Sink       |
| Type of material | Fragranite |
| Number of bowls  | 1          |
| Product color    | Champagne  |
| Surface finish   | None       |

## Product Dimensions

|                                |        |
|--------------------------------|--------|
| Length (right to left)         | 30.008 |
| Width (front to back)          | 18.976 |
| Large bowl size: right to left | 28.425 |
| Large bowl size: front to back | 16.614 |
| Large bowl: depth              | 9.488  |

## Installation

|                      |     |
|----------------------|-----|
| Minimum cabinet size | 33" |
|----------------------|-----|

## Product specifications

|                            |            |
|----------------------------|------------|
| Installation type          | Undermount |
| Drain hole                 | 3 1/2"     |
| Position of drainer        | No drainer |
| Active Twist Compatibility | No         |
| Installation device        | Clamp Bag  |

## Product identification

|                |        |
|----------------|--------|
| Brand          | FRANKE |
| Product family | Maris  |
| Collection     | Maris  |
| Certified by   | IAPMO  |

## Features

|                            |                |
|----------------------------|----------------|
| Drainers number            | No drainer     |
| Product reversibility      | No             |
| Faucet ledge               | No             |
| Strainer assembly included | No             |
| Strainer Assembly          | No waste kit   |
| Overflow                   | No             |
| Number of faucet holes     | No faucet hole |
| Soap dispenser hole        | No             |