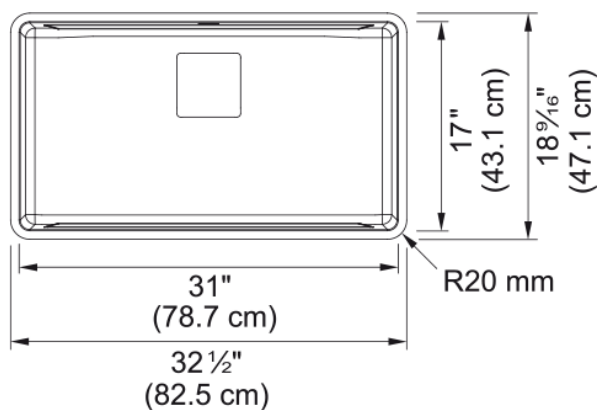
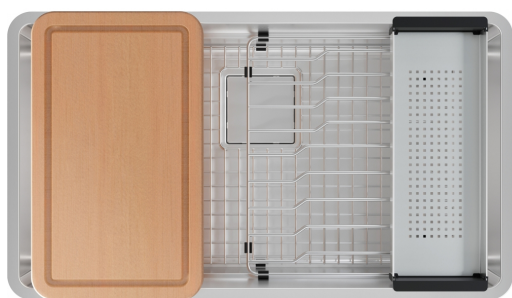


Pescara Undermount Sink - PTX110-31-WKC | 122.0672.209



32.5-in. x 18.56-in. Undermount 18 Gauge Stainless Steel Single Bowl Workcenter Kitchen Sink. The Pescara Workcenter sink is a fully equipped built-in kitchen workstation. The space-saving integrated kitchen tools offer plenty of room for prepping over your sink, freeing up counter space for other cooking activities. Crafted from 18-gauge stainless steel with smooth corners, this workcenter sink is low maintenance and easy to clean.

Aspect

Sink type	Sink
Type of material	Stainless steel
Number of bowls	1
Product color	Steel
Surface finish	Silk

Product Dimensions

Length (right to left)	32.575
Width (front to back)	18.181
Large bowl size: right to left	30.984
Large bowl size: front to back	16.969
Large bowl: depth	9.488

Installation

Minimum cabinet size	36"
----------------------	-----

Product specifications

Installation type	Undermount
Drain hole	3 1/2"
Position of drainer	No drainer
Active Twist Compatibility	No

Product identification

Brand	FRANKE
Product family	None
Collection	Pescara
Certified by	IAPMO

Features

Drainers number	No drainer
Product reversibility	No

Faucet ledge	No
Strainer assembly included	Yes
Strainer Assembly	Manual
Overflow	No
Number of faucet holes	No faucet hole
Soap dispenser hole	No