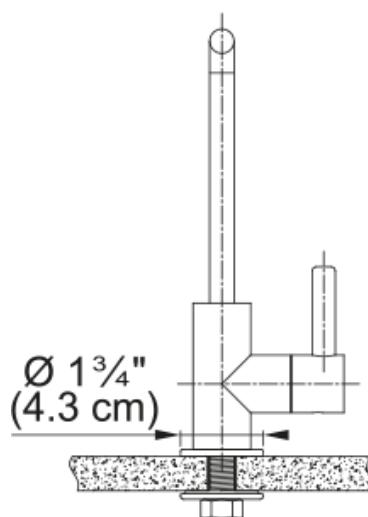


Universal Cold Filtered - UNL-FW-304 | 120.0704.773



8.75-in Single Handle Cold Water Filtration Faucet in Stainless Steel. This faucet, when paired with the Franke CT-200 chiller tank and Franke Filtration system (sold separately), can provide you and your family with great tasting cold filtered water for drinking and cooking. Crafted with solid 304 stainless steel construction, our UNL-FW-304 cold water dispenser delivers unparalleled corrosion resistance both inside and out. Designed to complement our range of Franke kitchen products, this filtration faucet adds a cohesive touch to your kitchen.

Aspect

Spout type	L - spout
Product color	Stainless steel
Type of material	Stainless steel 304

Product Dimensions

Faucet hole diameter	31,75 mm
Cartridge dimension	12,70 mm

Installation

Mounting type	Shank
Water supply hose connection	3/8"
Water supply hose length	60.00 in

Product specifications

Pressure	High pressure
Faucet type	Swivel spout
Faucet operation	Side lever
Faucet rotation	360°

Product identification

Brand	FRANKE
Product family	None
Collection	Universal

Features

Water saving feature	No
Type of aerator	Laminar
Application	Chilled Water
Application	Water filtration