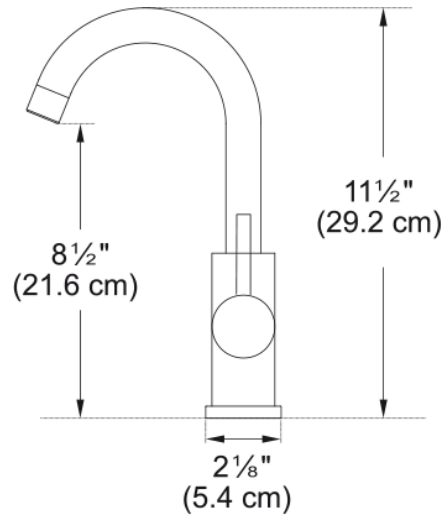


Cube Bar Faucet - FFB3350 | 115.0385.081



11.5-in Single Handle Swivel Spout Bar Faucet in Stainless Steel. With Cube, Franke designed a faucet specially tailored for a busy and active kitchen. Cube is a robust and easy-to-clean faucet made of solid stainless steel in a timeless design that guarantees a high level of comfort and hygiene. ADA Compliant

Aspect

Spout type	J - spout
Product color	Stainless steel
Type of material	Stainless steel 304

Product Dimensions

Faucet hole diameter	35 mm
Cartridge dimension	35 mm

Installation

Mounting type	Shank
Water supply hose connection	1/2"
Water supply hose length	17.72 in

Product specifications

Pressure	High pressure
Faucet type	Swivel
Faucet operation	Side lever
Faucet rotation	360°

Product identification

Brand	FRANKE
Product family	Maris
Collection	Eos

Features

Water saving feature	No
Type of aerator	Honeycomb