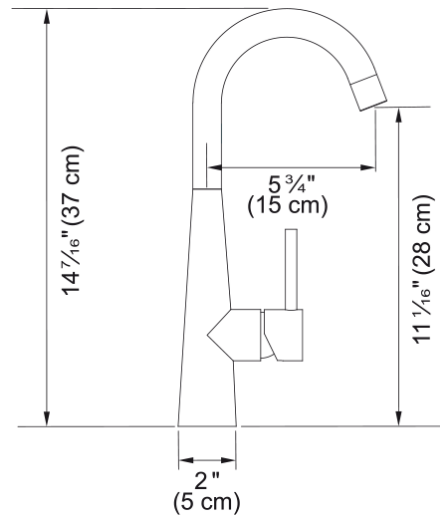


Steel Bar Faucet - STL-BR-304 | 115.0355.505



14.4-in. Stainless Steel Kitchen Bar Faucet. With a simple twist, the single handle lever on the Steel bar faucet effortlessly controls water temperature and pressure, making it ideal for preparing drinks and rinsing glasses. Solid 304 stainless steel construction delivers corrosion resistance inside and out. ADA Compliant. This model replaces the FFB3450 Steel faucet.

Aspect

Spout type	J - spout
Product color	Stainless steel
Type of material	Stainless steel 304

Product Dimensions

Height Overall	14.567
Faucet hole diameter	35 mm
Cartridge dimension	35 mm

Installation

Mounting type	Shank
Water supply hose connection	1/2"
Water supply hose length	31.50 in

Product specifications

Pressure	High pressure
Faucet type	Swivel
Faucet operation	Side lever
Faucet rotation	360°

Product identification

Brand	FRANKE
Product family	Mythos
Collection	Steel

Features

Water saving feature	No
Type of aerator	Honeycomb