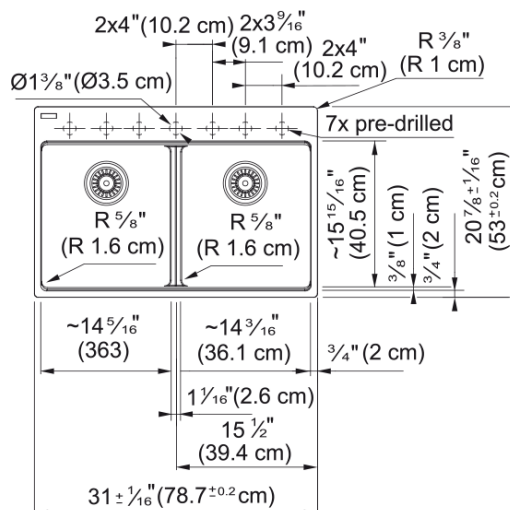


Maris Topmount Sink - MAG6201414-ONY | 114.0687.074



Technical Data

Aspect

| | |
|------------------|---------|
| Sink type | Sink |
| Type of material | Granite |
| Number of bowls | 2 |
| Color | Onyx |
| Surface finish | None |

Product Dimensions

| | |
|--------------------------------|--------|
| Exterior size: right to left | 31 |
| Exterior size: front to back | 20.874 |
| Large bowl size: right to left | 14.252 |
| Large bowl size: front to back | 15.606 |
| Large bowl: depth | 9.492 |
| Small bowl size: right to left | 14.252 |
| Small bowl size: front to back | 15.606 |
| Small bowl: depth | 9.492 |

Installation

| | |
|----------------------|-----|
| Minimum cabinet size | 33" |
|----------------------|-----|

Product specifications

| | |
|---------------------|--------------------|
| Installation type | Topmount / drop in |
| Drain hole | 3 1/2" |
| Position of drainer | No drainer |

Product identification

| | |
|----------------|--------|
| Product brand | FRANKE |
| Product family | Maris |
| Collection | Maris |
| Certified by | IAPMO |

Features

| | |
|-----------------|------------|
| Drainers number | No drainer |
|-----------------|------------|

Features

| | |
|----------------------------|----------------|
| Product reversibility | No |
| Faucet ledge | Yes |
| Strainer assembly included | No |
| Strainer assembly type | No waste kit |
| Overflow | No |
| Number of faucet holes | 7 - pre-scored |
| Soap dispenser hole | No |