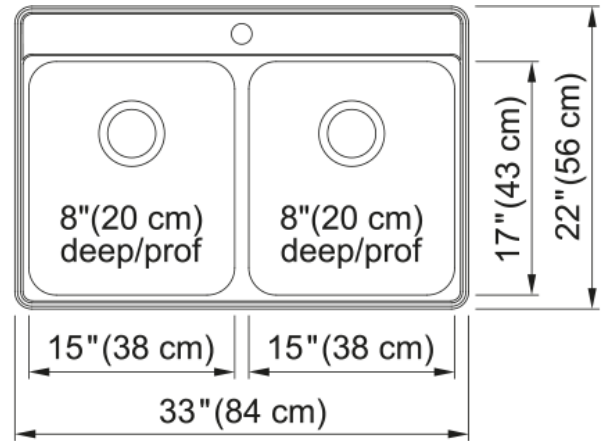


Creemore Drop In Sink CDLA3322-8-1CBN | 101.0632.991



Creemore 33-in x 22-in Drop In Double Bowl 1-Hole Stainless Steel Kitchen Sink. Real life meets real simplicity with EZ Torque installation on these Creemore sinks. Our revolutionary installation system lets you drop and drill your sink into place, securely locking the sink to the countertop. Easier installation means enjoying your kitchen sooner. Made from sturdy 20-gauge stainless steel with a pore-free surface that does not harbor bacteria, it is naturally hygienic and easy to clean. Sound-reducing pads are placed at key points to help absorb the sounds from water splashing. The stylish and functional design joins impressively in transitional and contemporary kitchens.

Aspect

Sink type	Sink
Type of material	Stainless steel
Number of bowls	2
Product color	Steel
Surface finish	Diamond

Product Dimensions

Length (right to left)	33
Width (front to back)	22
Large bowl size: right to left	15
Large bowl size: front to back	17
Large bowl: depth	8
Small bowl size: right to left	15
Small bowl size: front to back	17
Small bowl: depth	8

Installation

Minimum cabinet size	36"
----------------------	-----

Product specifications

Installation type	Topmount / drop in
Drain hole	3 1/2"
Position of drainer	No drainer
Bowl 1: accessory ledge	no
Bowl 2: accessory ledge	No
Active Twist Compatibility	No

Product identification

Brand	Kindred
-------	---------

Collection	Creemore
Certified by	IAPMO
Features	
Drainers number	No drainer
Product reversibility	No
Faucet ledge	Yes
Strainer assembly included	No
Strainer Assembly	No waste kit
Overflow	No
Number of faucet holes	1
Soap dispenser hole	No