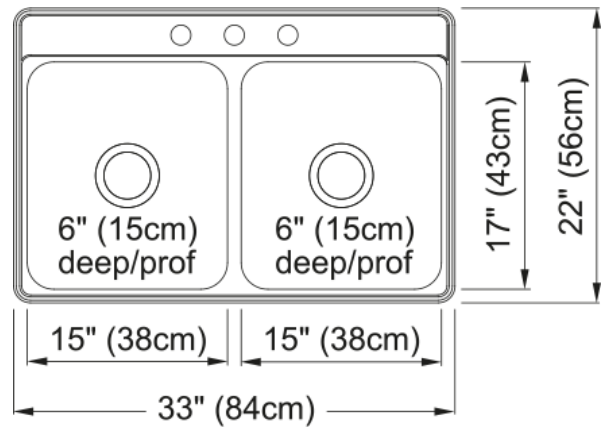


# Creemore Drop In Sink - CDLA3322-6-3N | 101.0632.988



Creemore 33-in x 22-in Drop In Double Bowl 3-Hole Stainless Steel Sink. Creemore Series sinks help make the daily grind less so, with a complete range of features. Creemore topmount sinks make even the busiest bowls a pleasure to use. Special pads reduce clanking and splashing noises so you can enjoy a quiet sink—even during bustling clean-up times of the day. Creemore sinks are built from sturdy 22 gauge steel, from the industry leader in stainless, with a finish that will stand up to everyday kitchen tasks. This sink is designed to drop into a pre-cut opening in the countertop and can be used with most countertop materials. A favorite for a quick kitchen upgrade

## Aspect

Sink type	Sink
Type of material	Stainless steel
Number of bowls	2
Product color	Steel
Surface finish	Silk

## Product Dimensions

Length (right to left)	33
Width (front to back)	21.976
Large bowl size: right to left	15
Large bowl size: front to back	17
Large bowl: depth	6
Small bowl size: right to left	15
Small bowl size: front to back	17
Small bowl: depth	6

## Installation

Minimum cabinet size	36"
----------------------	-----

## Product specifications

Installation type	Topmount / drop in
Drain hole	3 1/2"
Position of drainer	No drainer
Bowl 1: accessory ledge	no
Bowl 2: accessory ledge	No
Active Twist Compatibility	No

## Product identification

Brand	Kindred
-------	---------

Collection	Creemore
Certified by	IAPMO
<b>Features</b>	
Drainers number	No drainer
Product reversibility	No
Faucet ledge	Yes
Strainer assembly included	No
Strainer Assembly	No waste kit
Overflow	No
Number of faucet holes	3
Soap dispenser hole	Yes