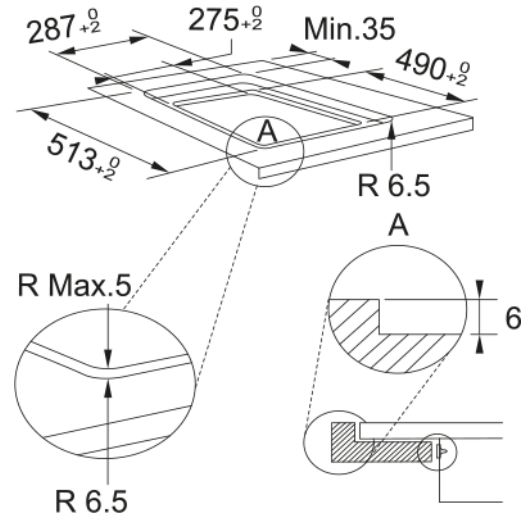
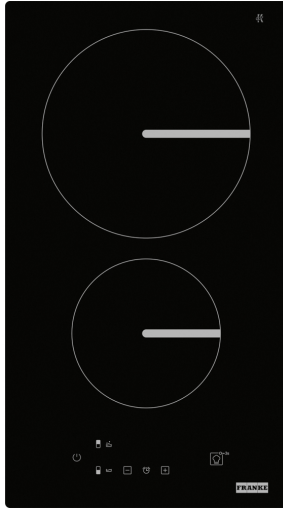


Hob induction FSM 302 I BK | 108.0606.106



Hob induction FSM 302 I BK

Product Information

Type	Induction
Technology	Induction vitroceramic
Color	Black
Finish	Glass
Power limitation	yes

Dimensions

Commercial dimension	30X50
Width overall	284.0
Cutout Depth	490.0
Cutout width	275.0
Packaging Depth	575.0
Packaging Width	350.0

Energy specifications

MAX booster nominal power (W)	3000.0
Total power (kW)	3.6
Voltage	220-240 V
Frequency (Hz)	50-60

Product specifications

Installation type hob	Standard&flush
Number of burners	2
Bridge zone	No
Flexi zone	No
Safety lock	Yes
Cookassist	Boiling
Cookassist	Melting
Frame shape	Frameless
Glass dimension (mm)	284x510

Hob/hood connection	no
Power cord length	1200.0
Power management (kW)	2.5 - 3.6
Digit color	Red
Supply cord	Yes
B.power of h.zone front left(W)	3000
Diam. of h.zone front left(mm)	145
Power of h.zone front left (W)	1200

Product identification

Product brand	FRANKE
Product family	Smart
Model range	SMART

Properties

Technical UI Type	Touch control
Number of heating zone	2
Type of heat. zone front left	Rounded
Type of heating zone rear left	Rounded
User interface	Direct touch - one central +/-
Timer	Yes
Dual zone	No
Oval zone	NO
FlexPro zone	no
Power level	9 + booster
Number of booster	2