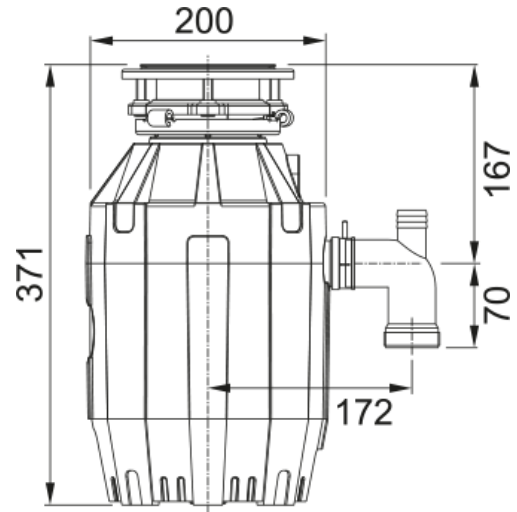


## Turbo Elite TE-75 WDU | 134.0473.236



Turbo Elite TE-75  $\frac{3}{4}$  HP, Continuous Feed, High Torque Dual Magnetic Motor, Motor Speed 2700 RPM, includes antibacterial protection for odour control, Integral Air Switch with Chrome Button (SilkSteel Button available separately as a spare if required). If fitting a WDU to a ceramic sink, an Extended Flange is required. 10 Year Guarantee on all Franke WDUs.

### Product Information

Product type Food waste disposer

### Energy specifications

Voltage 220-240 V

### Product Identification

Product brand FRANKE

Product family Maris

Model range Disposer

### Properties

Horse power waste disposer  $\frac{3}{4}$  HP

Motor speed 2700.0

Waste disposer motor type Permanent magnet

Feed type Continuous