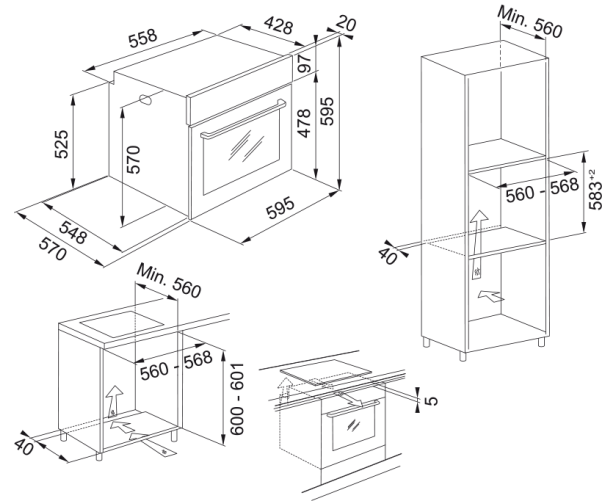


Maris Pyrolytic Oven | 116.0606.100



Technical Data

Product Information

Oven type	Electric
Type	Built-in
Color	Inox

Dimensions

Width: front to back	595.0
Depth Overall	570.0
Height Overall	595.0

Energy specifications

Rated power	3300.0
Voltage	220-240 V
Frequency (Hz)	50-60

Product specifications

Cleaning	Pyrolytic
Steam	No
Energy efficiency class	A+
Turnspit	No

Product Identification

Product brand	FRANKE
Product family	Maris
Model range	Maris

Properties

Usable volume liter	71.0
UI type	Electronic
Display color	White
Number of knobs	2.0
Timer	Programmable
Type of time control	Electronic

Door hinges	Soft closing
Telescopic shelves	1 level partial
Cool door	yes