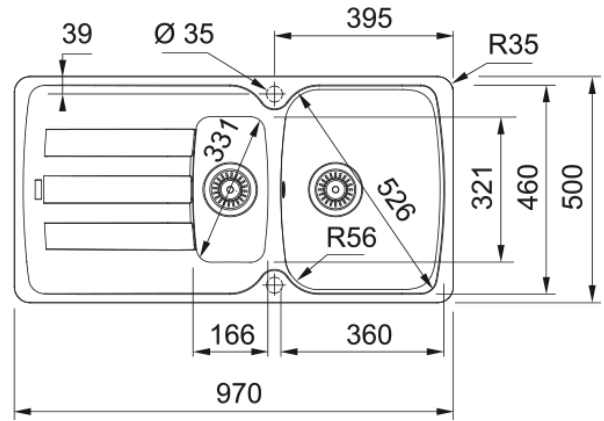


ANTEA AZG 651 REV Polar White | 114.0532.315



The Franke Antea AZG 651 is manufactured from an exceptionally tough material, highly resistant to burns, dents, chips and stains. Pioneered by Franke, Fraganite is a unique material with a subtle sheen that is warm to the touch thanks to its close to 80% of quartz sand. The surface is finely textured ensuring high hygiene standards. | Inset installation and reversible with 2 pre-formed tap holes. | 3½" semi-integrated waste with hygienic overflow. | 50 year Guarantee on all Franke sinks. | You can be reassured that all our Fraganite sinks are approved for use with our Water Hub 100°C instant boiling water taps.

Product Information

Sink type	Sink (w/ drainer)
Type of material	Granite
Number of bowls	1,5
Colour	Polar white
Finish	None

Dimensions

External size: right to left	970.0
External size: front to back	500.0
Bowl 1 size: right to left	360.0
Bowl 1 size: front to back	460.0
Bowl 1: depth	210.0
Bowl 2 size: right to left	166.0
Bowl 2 size: front to back	321.0
Bowl 2: depth	115.0
Cutout inset: right to left	950.0
Cutout inset: front to back	480.0

Installation

Minimum cabinet size	60 cm
----------------------	-------

Product specifications

Installation type	Inset
Waste outlet	3 1/2"
Position of drainer	Reversible drainer

Product Identification

Product brand	FRANKE
Product family	Smart

Model range	Antea
Approval logo	CE
Approval logo	UKCA
Properties	
Drainers number	1
Product reversibility	Yes
Tap ledge	Yes
Waste kit include	Yes
Waste kit type	Manual
Siphon included	No
Number of tap holes	2 - pre-formed
Soap dispenser hole	No