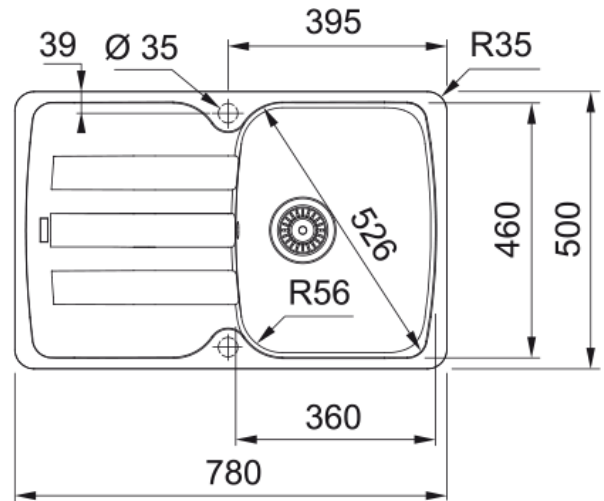


ANTEA AZG 611 78 REV Polar White | 114.0532.312



Technical Data

Product Information

Sink type	Sink (w/ drainer)
Type of material	Granite
Number of bowls	1
Color	Polar white
Finish	None

Dimensions

External size: right to left	780.0
External size: front to back	500.0
Bowl 1 size: right to left	360.0
Bowl 1 size: front to back	460.0
Bowl 1: depth	210.0
Cutout inset: right to left	760.0
Cutout inset: front to back	480.0

Installation

Minimum cabinet size	45 cm
----------------------	-------

Product specifications

Installation type	Inset
Waste outlet	3 1/2"
Position of drainer	Reversible drainer

Product Identification

Product brand	FRANKE
Product family	Smart
Model range	Antea
Approval logo	CE
Approval logo	UKCA

Properties

Drainers number	1
-----------------	---

Product reversibility	Yes
Tap ledge	No
Waste kit include	Yes
Waste kit type	Manual
Siphon included	No
Number of tap holes	No tap hole
Soap dispenser hole	No