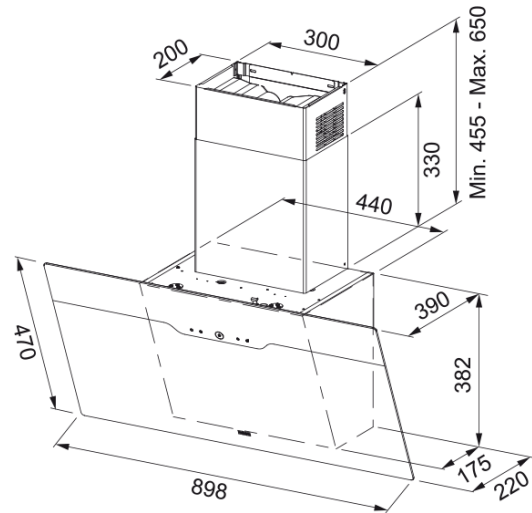


HOOD FVAD A90 BK MATT/2 FRANKE | 330.0657.418



Technical Data

Product Information

Hood category Vertical

Finish Black matt

Dimensions

Width in mm 900.0

Diam. air outlet 150

Energy specifications

Plug type EU

Annual energy consumption AEC 56.1

F. dynamic efficiency class A

Light Efficiency Class A

Grease filtering efficiency cl G

Motor voltage 220-240V 50-60Hz

Motor Gr comm.name SP A+

Number of motor 1

Installation

Installation Wall

Performance

Speed 1

Flow (m³h) 290.0

Press. max 450.0

Watt 150.0

Noise level (db) 48.0

Speed 2

Flow (m³h) 420.0

Press. max 540.0

Watt 200.0

Noise level (db) 56.0

Speed	3
Flow (m ³ h)	600.0
Press. max	560.0
Watt	240.0
Noise level (db)	63.0
Speed	BOOST
Flow (m ³ h)	740.0
Press. max	580.0
Watt	250.0
Noise level (db)	68.0
Product specifications	
Air quality sensor	No
Energy efficiency class	A
Product Identification	
Product brand	FRANKE
Product family	Maris
Model range	MARIS DRIP-FREE
Properties	
Number of lamp	2
Lamp type	Led S1000 3000K
Remote control	No
Waterproof	No
UI type	Touch capacitive
Speed number	See setting file
Speed setting	3+i
24H	No
Delay	No
Sensor self start	No
WI-FI	No
Filter typology	Cassette
Type of filter	Aluminium
Charcoal filter	Yes