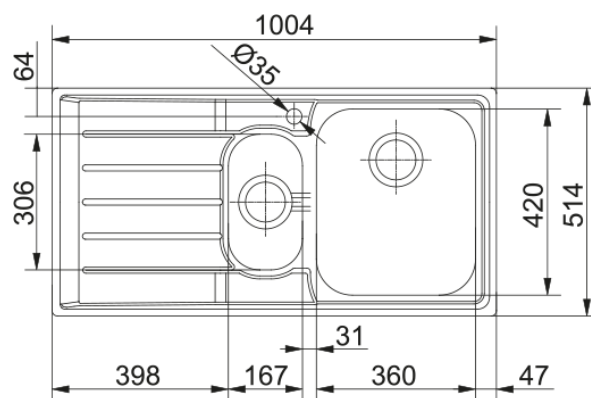


## Neptune NEX 251 LHD | 127.0059.717



NEPTUNE NEX 251, 1004x514mm, Inset, Slim-Top Edge Profile, Left Hand Drainer, Brushed Stainless Steel, 3½" Semi-Integrated Waste with Slotted Overflow, 1 tap hole. 50 Year Guarantee on all Franke sinks. This product is available through our Authorised Internet Partners and National Retailers - please click on the 'Where to Buy' link above. Please quote Product Name and Code as Article Number may differ.

### Product Information

|                  |                         |
|------------------|-------------------------|
| Sink type        | Sink (w/ drainer)       |
| Type of material | Stainless steel         |
| Number of bowls  | 1,5                     |
| Colour           | Steel                   |
| Finish           | Stainless steel brushed |

### Dimensions

|                              |        |
|------------------------------|--------|
| External size: right to left | 1004.0 |
| External size: front to back | 514.0  |
| Bowl 1 size: right to left   | 360.0  |
| Bowl 1 size: front to back   | 420.0  |
| Bowl 1: depth                | 190.0  |
| Bowl 2 size: right to left   | 168.0  |
| Bowl 2 size: front to back   | 306.0  |
| Bowl 2: depth                | 130.0  |

### Installation

|                      |       |
|----------------------|-------|
| Minimum cabinet size | 60 cm |
|----------------------|-------|

### Product specifications

|                            |                        |
|----------------------------|------------------------|
| Installation type          | Flushmount             |
| Installation type          | Slimtop                |
| Waste outlet               | 3 1/2"                 |
| Position of drainer        | Left hand side drainer |
| Active Twist Compatibility | Yes                    |

### Product Identification

|                |         |
|----------------|---------|
| Product brand  | FRANKE  |
| Product family | Maris   |
| Model range    | Neptune |

|                       |        |
|-----------------------|--------|
| Approval logo         | Ce     |
| <b>Properties</b>     |        |
| Drainers number       | 1      |
| Product reversibility | No     |
| Tap ledge             | Yes    |
| Waste kit include     | Yes    |
| Waste kit type        | Manual |
| Siphon included       | Yes    |
| Number of tap holes   | 1      |
| Soap dispenser hole   | No     |