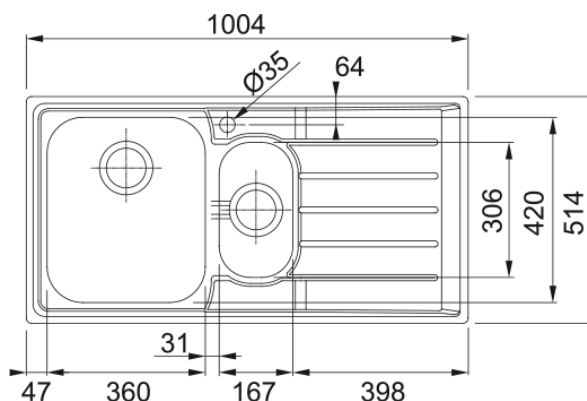


Neptune NEX 251 RHD | 127.0059.658



NEPTUNE NEX 251, 1004x514mm, Inset, Slim-Top Edge Profile, Right Hand Drainer, Brushed Stainless Steel, 3½" Semi-Integrated Waste with Slotted Overflow, 1 tap hole. 50 Year Guarantee on all Franke sinks. This product is available through our Authorised Internet Partners and National Retailers - please click on the 'Where to Buy' link above. Please quote Product Name and Code as Article Number may differ.

Product Information

Sink type	Sink (w/ drainer)
Type of material	Stainless steel
Number of bowls	1,5
Colour	Steel
Finish	Stainless steel brushed

Dimensions

External size: right to left	1004.0
External size: front to back	514.0
Bowl 1 size: right to left	360.0
Bowl 1 size: front to back	420.0
Bowl 1: depth	190.0
Bowl 2 size: right to left	168.0
Bowl 2 size: front to back	306.0
Bowl 2: depth	130.0

Installation

Minimum cabinet size	60 cm
----------------------	-------

Product specifications

Installation type	Slimtop
Installation type	Flushmount
Waste outlet	3 1/2"
Position of drainer	Right hand side drainer
Active Twist Compatibility	Yes

Product Identification

Product brand	Franke
Product family	Maris
Model range	Neptune

Approval logo	Ce
Properties	
Drainers number	1
Product reversibility	No
Tap ledge	Yes
Waste kit include	Yes
Waste kit type	Manual
Siphon included	Yes
Number of tap holes	1
Soap dispenser hole	No