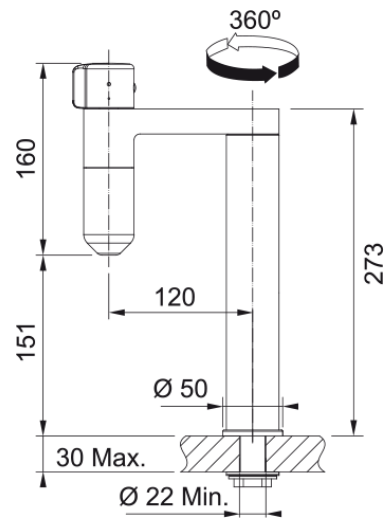


Vital Capsule Single Dispense Filter MB | 120.0621.311



Vital Capsule Single Dispense Filter Tap, Decor Steel PVD/Matt Black finish. Overall height 311mm. 360° rotation. Minimalist, elegant, fully rotatable: the easiest way to enjoy fresh drinking water every day. The world's most advanced water filter system cleans water more simply, quickly and reliably than ever before. Developed in Switzerland and impeccably designed. For the most wonderful tap water you've ever tasted. The combination of activated carbon and a high-tech membrane ensure supreme water quality and hygiene. Not only does tap water taste better, it is also much healthier. The extremely compact system looks stunning in any kitchen: an iconic design, space-saving and available in various designs and colours. The best water filter in the world is also the smallest. That's something of a marvel, given what's inside. It is the first system ever to combine activated carbon with a high-tech membrane and turns 500 litres of tap water into pure refreshment. All Vital taps are supplied with a High-Performance filter and also now a High-Flow filter which is a superb alternative providing continuous high flow rates in areas where the High-Performance filter can get congested prematurely due to excessive sediment contamination in the water. The High-Flow filter has a mesh size that is 20 times finer than ordinary household filters. As a result, rust, dirt and fine sediments are filtered out for cleaner water. Please note, the High-Flow filter does not remove microbial cysts, microplastics, bacteria, viruses or limescale.

Product Information

Spout version	L - spout
Colour	Industrial black
Type of material	Brass

Dimensions

Height Overall	311.0
Tap hole diameter	35 mm
Cartridge dimension	35 mm

Installation

Fixation type	Shank
Water supply hose connection	3/8"
Water supply hose length	450 mm

Product specifications

Pressure	High pressure
Version	Swivel spout
Tap operation	Top lever
Tap rotation	360°

Product Identification

Product brand	Franke
Product family	Mythos

Model range	Vital
Properties	
Eco water saving	No
Type of aerator	Laminar
Type of multifunctional system	Water filtration