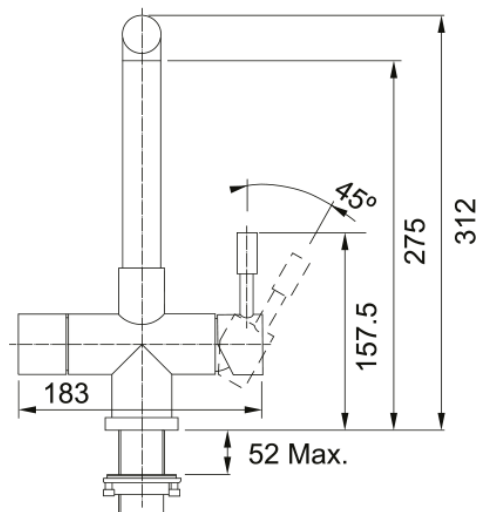


Minerva Mondial Elect 4-in-1 Copper | 119.0625.348



Minerva Mondial Electronic 4-in-1 Copper finish tap, with Tank and M-Box. The Minerva Mondial Electronic 4-in-1 tap delivers not only hot and cold mains water but also cold and 100°C boiling filtered water (NB Tank temperature is 107°C, Tap dispenses water at 100°C). Overall height 330mm. Twin Lever. Electronic user interface, the electronic knob dispenses Boiling and Filtered, lighting up to indicate which is being dispensed, or white for neutral Ease of use (Pan & jug filling mode). Tank dimensions: H142 x W550 x D211mm. 5 litre tank can be fitted vertically or horizontally. Boiling water at its most convenient, Ultimate convenience, True 100° C boiling water, Easy Installation, Safety assured, Quick sterilizing – perfect for babies’ bottles, Hygienic cleaning, Faster cooking and preparation. The Franke M-Box guarantees a quick and flawless installation. Installation within 20 minutes, Tidies pipework, Installation possible in horizontal or vertical position, Easy access to change filter, Fits to cabinet wall. The electronically controlled Minerva 4-in-1 is beautifully designed with an L spout, and features pan and jug filling modes, child safety function plus a filter warning light. Save energy - the energy use of a boiling water tank is on average 10p/day which is comparable to a light bulb. The average cost to boil a kettle is 2.5p. No waiting time for hot water, No waste of water or energy, No energy surge caused by the use of a kettle. **IMPORTANT** - Please be aware of your water pressure before purchase. If your water pressure is too low, the installation of a pump should be investigated. If your pressure is too high, the inclusion of a pressure reducing valve (not supplied) in the system will be necessary.

Product Information

Spout version	L - spout
Colour	Copper
Type of material	Stainless steel 304

Dimensions

Tap hole diameter	35 mm
Cartridge dimension	35 mm

Installation

Fixation type	Shank
Water supply hose connection	3/8"
Water supply hose length	700 mm

Product specifications

Pressure	High pressure
Version	Swivel spout
Tap operation	Side lever
Tap rotation	360°

Product Identification

Product brand	FRANKE
Product family	Mythos
Model range	Mondial

Properties

Eco water saving	No
Type of aerator	Cache
Type of multifunctional system	Heating tank
Capacity water tank in litre	5L
Temperature range	107°C
Tank material	Heating tank-copper