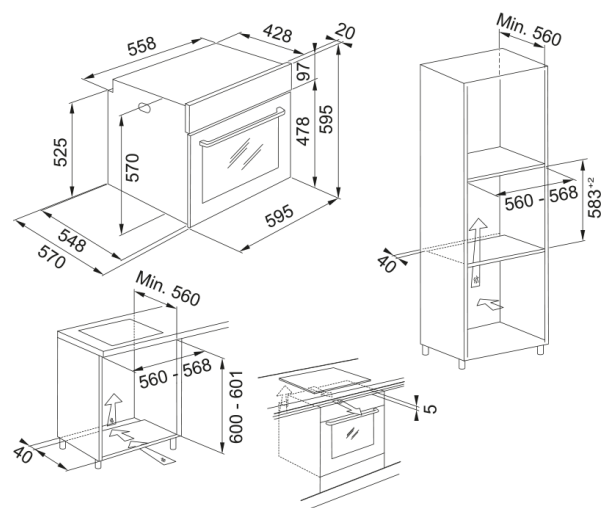


Maris Hydrolytic Oven FMA 86 H XS | 116.0606.097



Maris Hydrolytic Oven FMA 86 H XS, Black with Stainless Steel trim. Features include: A Energy rating, 71 Litre capacity, hydrolytic cleaning, 8 functions, White Digital Display, Electromechanical controls, Protruding knobs, Soft close door and 2 wire shelves (sliding shelves optional), 1 baking tray, 1 deep tray.

Product Information

Oven type	Electric
Type	Built-in
Colour	Inox

Dimensions

Width: front to back	595.0
Depth Overall	570.0
Height Overall	595.0

Energy specifications

Rated power	2750.0
Voltage	220-240 V
Frequency (Hz)	50-60

Product specifications

Cleaning	Steam cleaning
Steam	No
Energy efficiency class	A
Turnspit	No
Auto functions	N/A
Colour of knobs	Matt black
Door frame	U-shape
Number of door glasses	2.0
Colour of handle	stainless steel
Manual functions	Bottom heating
Manual functions	Convection Bake
Manual functions	Conventional
Manual functions	Defrost
Manual functions	Forced Air
Manual functions	Grill

Manual functions	Steam Cleaning
Manual functions	Turbo Grill
Manual functions	Bread
Packaging Depth	650.0
Packaging Height	670.0
Packaging Width	640.0
Panel frame	2 stripes
Power cord length	1000.0
Type of knobs	protruding
Number of air fry baskets	N/A
Display	yes
Door glass type	Float
Panel material	GLASS
Touch display	yes
Product Identification	
Product brand	FRANKE
Product family	Maris
Model range	Maris
Properties	
Usable Volume Litre	71.0
UI type	Electromechanic
Display colour	White
Number of knobs	2.0
Timer	Programmable
Type of time control	Electronic
Type of door hinges	Soft closing
Telescopic shelves	Optional
Cool door	yes