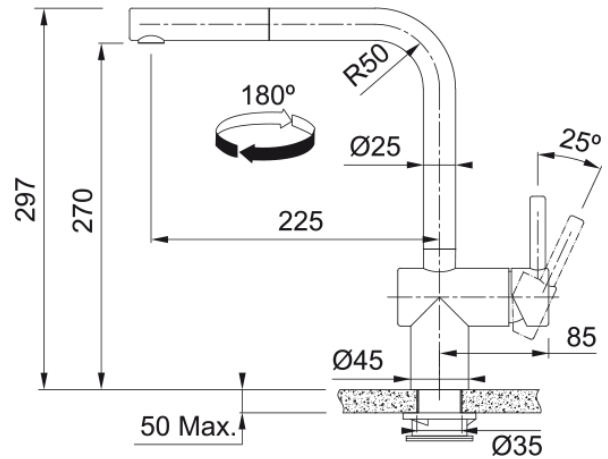


Atlas Neo Sensor Pull-Out Nozzle Ind Blk | 115.0669.321



Atlas Neo Sensor Pull-Out Nozzle Matt Black Tap. Overall height 297mm Ceramic Mechanism. The Atlas Sensor tap is made of Solid Stainless Steel which has a hygienic, non-porous surface that is resistant to bacteria and germs. Once in use, the water will flow continuously for 30 seconds. The tap can be stopped with a wave, as well as started so, you don't have to wait 30 seconds. Hybrid function enabling manual lever for everyday use and sensor activity for hand washing. The touchless and manual controls operate independently from each other. The sensor screen is easy to keep clean and easy to use. The sensor controls the touch free water temperature. If unintentionally started and once activated, the water flow stops in less than a second! The temperature on the sensor is set upon installation in the control box under the sink. Quick and easy plug-in installation: the tap, the control box, and the battery.

Product Information

Spout version	L - spout
Colour	Industrial black
Type of material	Stainless steel 304
Flexible pullout hose material	Nylon grey
Shower material	Stainless steel

Dimensions

Height Overall	297.0
Tap hole diameter	35 mm
Cartridge dimension	35 mm

Installation

Fixation type	Shank
Water supply hose connection	3/8"
Water supply hose length	800 mm

Product specifications

Pressure	High pressure
Version	Pull out nozzle
Tap operation	Side lever
Tap rotation	180°

Product Identification

Product brand	FRANKE
Product family	Maris
Model range	Atlas Neo Sensor

Properties

Electronic	Infrared sensor
Eco water saving	No
Type of aerator	Laminar