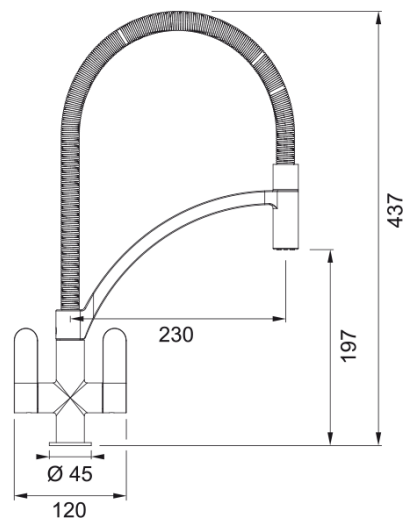


Zelus SilkSteel / Spring | 115.0567.594



Zelus SilkSteel finish with Spring Pull-Out Nozzle, Overall height 437mm, Twin Levers, Ceramic Valves, Perlator mixes air into the water to give a champagne-like flow.

Product Information

Spout version	S - semi-professional
Colour	Decor steel
Type of material	Brass
Flexible pullout hose material	Metal
Shower material	Stainless steel

Dimensions

Tap hole diameter	35 mm
Cartridge dimension	35 mm

Installation

Fixation type	Shank
Water supply hose connection	1/2"
Water supply hose length	350 mm

Product specifications

Pressure	High pressure
Version	Pull out
Tap operation	Dual lever
Tap rotation	180°

Product Identification

Product brand	FRANKE
Product family	Maris
Model range	Zelus

Properties

Eco water saving	No
Type of aerator	Honeycomb