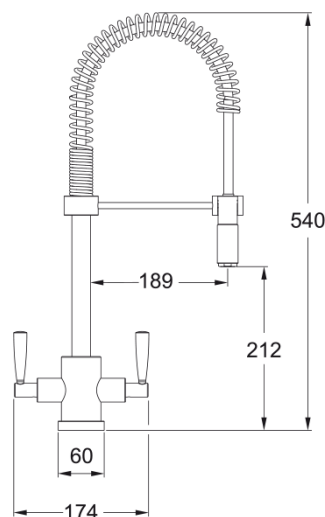


Olympus Spring SilkSteel | 115.0311.190



Olympus Spring SilkSteel finish, Overall height 540mm, Twin Lever, Ceramic Valves, Pull-Out Nozzle.

Product Information

Spout version	S - semi-professional
Colour	Decor steel
Type of material	Brass
Flexible pullout hose material	Metal
Shower material	Stainless steel

Dimensions

Tap hole diameter	35 mm
Cartridge dimension	1/2" headworks

Installation

Fixation type	1 Bolt
Water supply hose connection	1/2"
Water supply hose length	250 mm

Product specifications

Pressure	Low pressure for standard
Version	Pull out
Tap operation	Dual lever
Tap rotation	180°

Product Identification

Product brand	FRANKE
Product family	None
Model range	Olympus

Properties

Eco water saving	No
Type of aerator	Honeycomb