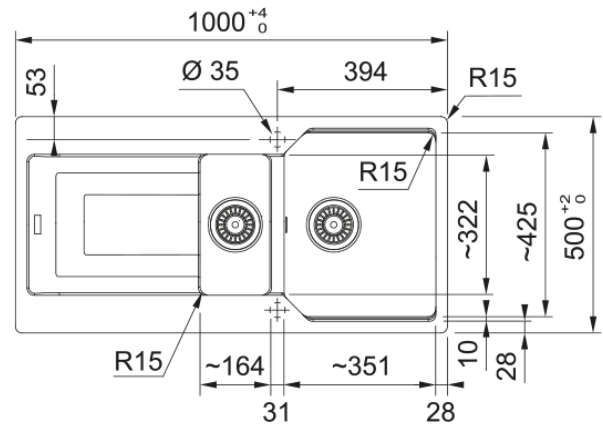
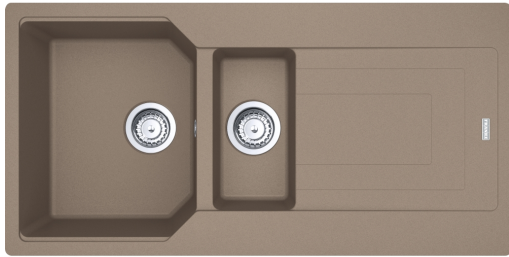


## Urban UBG 651 Oyster | 114.0689.394



URBAN UBG 651 Oyster 1000x500mm, Inset, Reversible, manufactured with Fraganite, 31" Waste with Hygienic overflow, 2 pre-formed tap holes, new fixing clips for 30-45mm worktop thickness. 50 Year Guarantee on all Franke sinks.

### Product Information

Sink type	Sink (w/ drainer)
Type of material	Granite
Number of bowls	1,5
Colour	Oyster
Finish	None

### Dimensions

External size: right to left	1000.0
External size: front to back	500.0
Bowl 1 size: right to left	351.0
Bowl 1 size: front to back	425.0
Bowl 1: depth	220.0
Bowl 2 size: right to left	164.0
Bowl 2 size: front to back	322.0
Bowl 2: depth	139.0
Cutout inset: right to left	980.0
Cutout inset: front to back	480.0

### Installation

Minimum cabinet size	60 cm
----------------------	-------

### Product specifications

Installation type	Inset
Waste outlet	3 1/2"
Position of drainer	Reversible drainer
Installation Device	Clamp Bag

### Product Identification

Product brand	Franke
Product family	Maris
Model range	Urban

Approval logo	Ce
Approval logo	UKCA
<b>Properties</b>	
Drainers number	1
Product reversibility	Yes
Tap ledge	No
Waste kit include	Yes
Waste kit type	Manual
Siphon included	No
Number of tap holes	2 - pre-formed