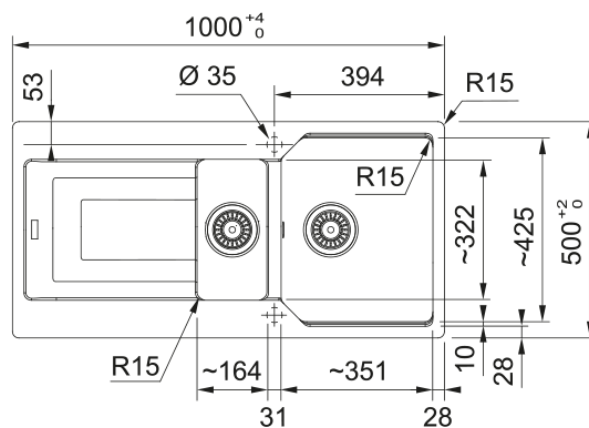
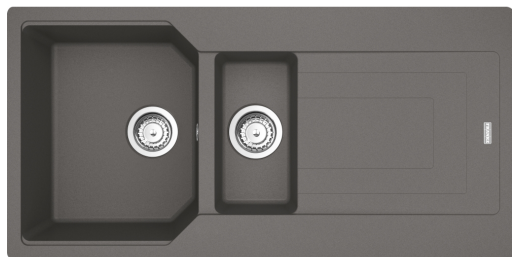


Urban UBG 651 Stone Grey | 114.0689.391



URBAN UBG 651 Stone Grey, 1000x500mm, Inset, Reversible, manufactured with Fraganite, 31" Waste with Hygienic overflow, 2 pre- formed tap holes, new fixing clips for 30-45mm worktop thickness. 50 Year Guarantee on all Franke sinks. This product is available through our Authorised Internet Partners and National Retailers - please click on the 'Where to Buy' link above. Please quote Product Name and Code as Article Number may differ.

Product Information

Sink type	Sink (w/ drainer)
Type of material	Granite
Number of bowls	1,5
Colour	Stone grey
Finish	None

Dimensions

External size: right to left	1000.0
External size: front to back	500.0
Bowl 1 size: right to left	351.0
Bowl 1 size: front to back	425.0
Bowl 1: depth	220.0
Bowl 2 size: right to left	164.0
Bowl 2 size: front to back	322.0
Bowl 2: depth	139.0
Cutout inset: right to left	980.0
Cutout inset: front to back	480.0

Installation

Minimum cabinet size	60 cm
----------------------	-------

Product specifications

Installation type	Inset
Waste outlet	3 1/2"
Position of drainer	Reversible drainer
Installation Device	Clamp Bag

Product Identification

Product brand	FRANKE
Product family	Maris

Model range	Urban
Approval logo	CE
Approval logo	UKCA
Properties	
Drainers number	1
Product reversibility	Yes
Tap ledge	No
Waste kit include	Yes
Waste kit type	Manual
Siphon included	No
Number of tap holes	2 - pre-formed