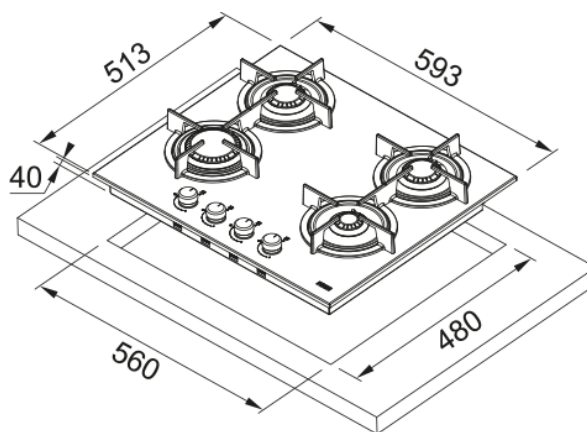


Mythos FHCR 604 4G HE XA C | 106.0496.075



Mythos Gas on Metal FHCR 604 4G HE XA C, Stainless Steel, 60cm wide. Features includes: a safety valve, Cast iron pan supports, Incorporated electronic ignition and 4 Burner/Heating Zones.

Product Information

Type	Gas
Technology	Gas on metal
Colour	Inox
Finish	Stainless steel
Type of pan support	Double burner
Power limitation	n/a

Dimensions

Commercial dimension	60X50
Width overall	593.0
Cutout Depth	480.0
Cutout width	560.0
Packaging Depth	600.0
Packaging Width	690.0

Energy specifications

Total power (kW)	7.5
Voltage	220-240 V
Frequency (Hz)	50-60

Product specifications

Installation type hob	Standard
Number of burners	4
Power of burner front left (W)	3000
Power of burner front right(W)	1000
Power of burner rear left (W)	1750
Power of burner rear right (W)	1750
Colour of knobs	#N/A
Hob/hood connection	no
Pan support material	cast iron

Supply cord	Yes
Wok grid adaptor	no
Product Identification	
Product brand	FRANKE
Product family	Mythos
Model range	MYTHOS
Properties	
UI type	Knobs
Number of knobs	4.0
Number of pan support	2
Type of burner front left	Rapid
Type of burner rear left	Semi rapid
Type of burner rear right	Semi rapid
Type of burner front right	Auxiliary
User interface	Knobs
Timer	No