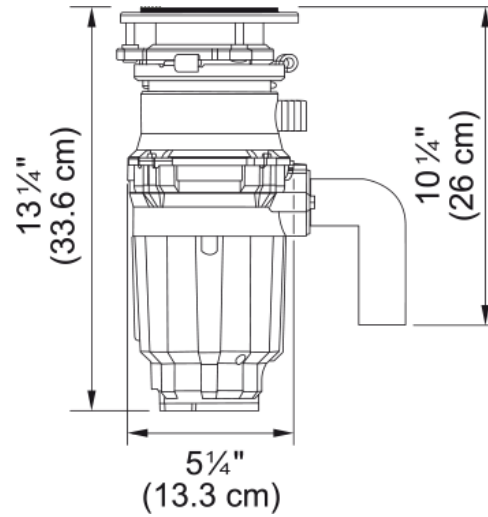


## 1/2 HP Food Waste Disposer - WDJ50 | 134.0482.020



### Technical Data

#### Aspect

Product type Food waste disposer

#### Energy specifications

Voltage 120 V

#### Product identification

Product brand FRANKE

Product family Maris

Collection Disposer

#### Features

Horsepower 1/2 HP

Motor speed 2600.0

Waste disposer motor type Permanent magnet

Feed type Continuous