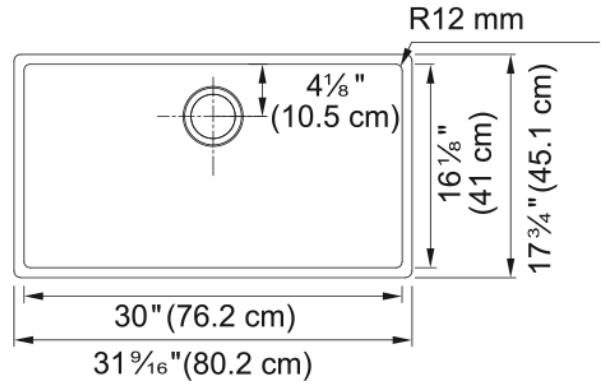


# Cube Workcenter Sink - CUX11030-WKC | 122.0672.231



## Technical Data

### Aspect

Sink type	Sink
Type of material	Stainless steel
Number of bowls	1
Color	Steel
Surface finish	Pearl

### Product Dimensions

Exterior size: right to left	31.496
Exterior size: front to back	17.756
Large bowl size: right to left	30
Large bowl size: front to back	16.142
Large bowl: depth	9.016

### Installation

Minimum cabinet size	36"
----------------------	-----

### Product specifications

Installation type	Undermount
Drain hole	3 1/2"
Position of drainer	No drainer

### Product identification

Product brand	FRANKE
Product family	Maris
Collection	Cube
Certified by	IAPMO

### Features

Drainers number	No drainer
Product reversibility	No
Faucet ledge	No
Strainer assembly included	Yes

## Features

Strainer assembly type	Manual
Overflow	No
Number of faucet holes	No faucet hole
Soap dispenser hole	No