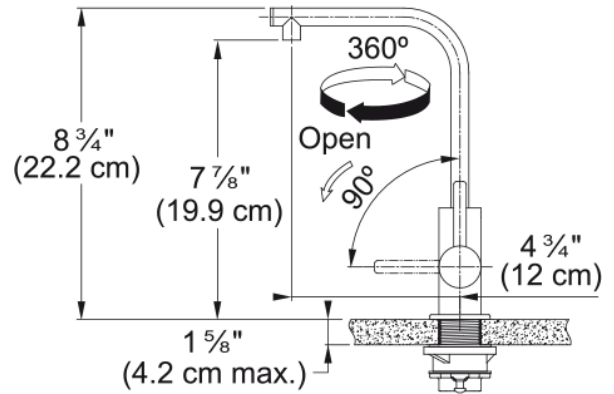


# Atlas Neo Hot/Cold Filtered - ATL-HC-304 | 120.0685.382



## Technical Data

### Aspect

Spout type	L - spout
Color	Stainless steel
Type of material	Stainless steel 304

### Product Dimensions

Faucet hole diameter	31,75 mm
Cartridge dimension	12,70 mm

### Installation

Mounting type	Shank
Water supply hose connection	3/8"
Water supply hose length	1524 mm

### Product specifications

Pressure	High pressure
Faucet type	Swivel spout
Faucet operation	Side lever
Faucet rotation	360°

### Product identification

Product brand	FRANKE
Product family	None
Collection	ATLAS NEO

### Features

Water saving feature	No
Type of aerator	Laminar
Little butler type	Heating tank
Little butler type	Water filtration
Little butler type	Chilling tank

## Features

