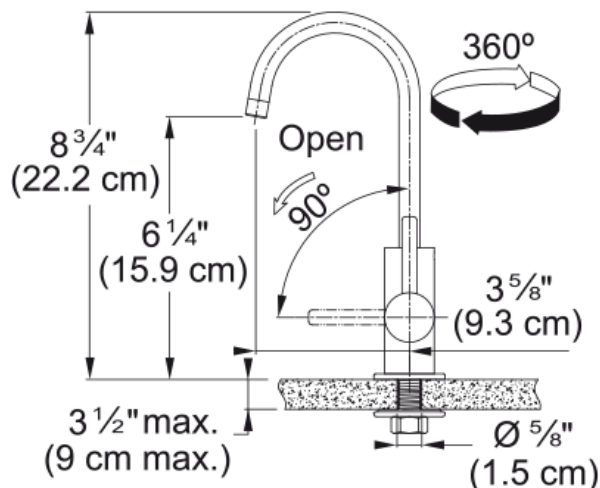


# Eos Neo Cold Filtered - EOS-FW-CHR | 120.0685.325



## Technical Data

### Aspect

Spout type	J - spout
Color	Polished chrome
Type of material	Stainless steel 304

### Product Dimensions

Faucet hole diameter	31,75 mm
Cartridge dimension	12,70 mm

### Installation

Mounting type	Shank
Water supply hose connection	3/8"
Water supply hose length	1524 mm

### Product specifications

Pressure	Low pressure for standard
Faucet type	Swivel spout
Faucet operation	Side lever
Faucet rotation	360°

### Product identification

Product brand	FRANKE
Product family	None
Collection	EOS NEO

### Features

Water saving feature	No
Type of aerator	Laminar
Little butler type	Chilling tank

## Features

