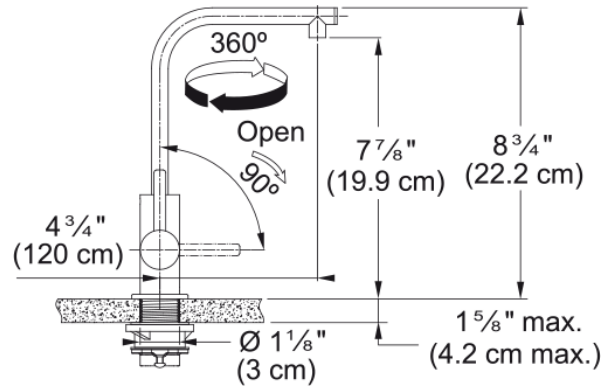


Atlas Neo Hot Filtered - ATL-HO-304 | 119.0685.381



Technical Data

Aspect

Spout type	L - spout
Color	Stainless steel
Type of material	Stainless steel 304

Product Dimensions

Faucet hole diameter	31,75 mm
Cartridge dimension	12,70 mm

Installation

Mounting type	Shank
Water supply hose connection	3/8"
Water supply hose length	1524 mm

Product specifications

Pressure	High pressure
Faucet type	Swivel spout
Faucet operation	Side lever
Faucet rotation	360°

Product identification

Product brand	FRANKE
Product family	None
Collection	Atlas Neo

Features

Water saving feature	No
Type of aerator	Laminar
Little butler type	Heating tank
Little butler type	Water filtration