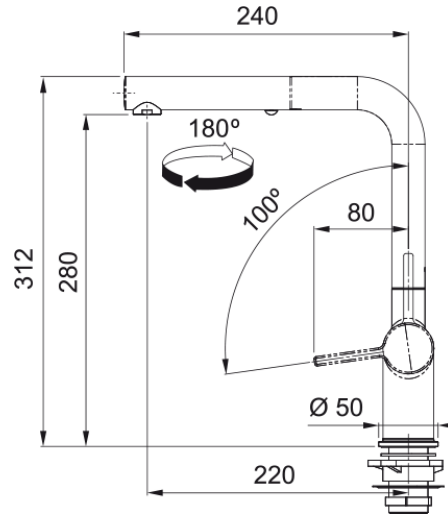


# Active Pull-Out Faucet - ACT-PO-ONY | 115.0656.849



## Technical Data

### Aspect

Spout type	L - spout
Color	Bi-chrome/onyx
Type of material	Brass
Flexible pullout hose material	Nylon grey
Spray head material	Brass

### Product Dimensions

Faucet hole diameter	35 mm
Cartridge dimension	35 mm

### Installation

Mounting type	Shank
Water supply hose connection	1/2"
Water supply hose length	450 mm

### Product specifications

Pressure	High pressure
Faucet type	Spray
Faucet operation	Side lever
Faucet rotation	180°

### Product identification

Product brand	FRANKE
Product family	Maris
Collection	Active

### Features

Water saving feature	Yes
Type of aerator	Laminar

## Features

