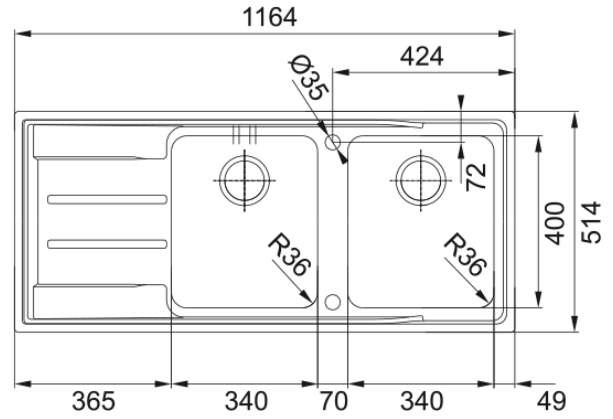


# ANX221LHD Aton Sink Kit | 127.0283.698



## Technical Data

### Aspect

Sink type	Sink (w/ drainer)
Material type	Stainless steel
Number of bowls	2
Colour	Steel
Finish	Brushed

### Dimensions

Overall length	1164.0
Overall depth	514.0
Length	340.0
Depth	400.0
Height	190.0
Bowl 2: length	340.0
Bowl 2: Width	400.0
Bowl 2: height	190.0

### Installation

Cabinet size	80 cm
--------------	-------

### Product features

Installation type	Flushmount
Waste outlet	3 1/2"
Position of drainer	Left hand side drainer

### Product identification

Brand	FRANKE
Product family	Maris
Range	Aton
Approval logo	CE

### Properties

Drainer	1
---------	---

## Features

Reversible	No
Tap ledge	Yes
Waste kit	Yes
Waste kit type	Manual
Plumbing kit	No
Tap holes	2
Soap dispenser hole	No