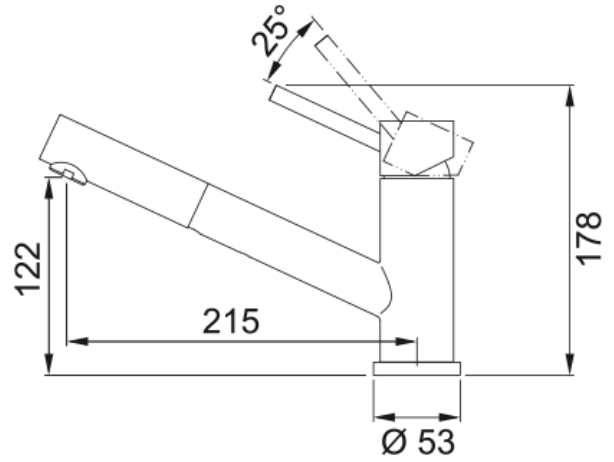


Taros PullOut Stainless Steel Tap TA9511 | 115.0381.036



Technical Data

Aspect

Spout type	I - inclined spout
Colour	Stainless steel
Material type	Stainless steel 304
Pull-out hose material	Nylon grey
Pull-out head material	Stainless steel

Dimensions

Tap hole diameter	35 mm
Cartridge	35 mm

Installation

Fixation type	Shank
Water hose connection	1/2"
Water supply hose length	500 mm

Product features

Pressure	High pressure
Spout type	Pull out nozzle
Tap operation	Top lever
Tap rotation	120°

Product identification

Brand	FRANKE
Product family	Maris
Family	Taros

Properties

Eco water saving	No
Type of aerator	Honeycomb

Features

