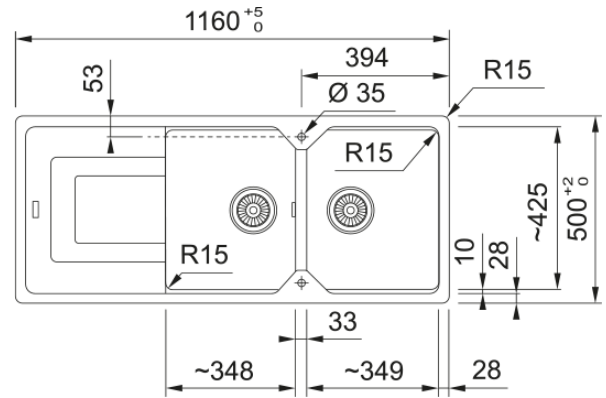


# UBG621PW Urban PW Double Bowl Sink | 114.0644.771



Constructed from 80% quartz sand and 20% durable acrylic resin, a Franke Fraganite sink adds a touch of elegance to any kitchen with its subtle shine. Designed for busy households, this material is highly resistant to temperatures of up to 280° Celsius.

## Aspect

Sink type	Sink (w/ drainer)
Material type	Granite
Number of bowls	2
Colour	Polar white
Finish	None

## Dimensions

Overall length	1160.0
Overall depth	500.0
Length	348.0
Depth	425.0
Height	220.0
Bowl 2: length	348.0
Bowl 2: Width	425.0
Bowl 2: height	220.0
Cutout inset: right to left	1124.0
Cutout inset: front to back	464.0

## Installation

Cabinet size	80 cm
--------------	-------

## Product features

Installation type	Topmount
Waste outlet	3 1/2"
Position of drainer	Reversible drainer

## Product identification

Brand	FRANKE
Product family	Maris
Family	Urban

## Properties

Drainer	1
Reversible	Yes
Tap ledge	No
Waste kit	Yes
Waste kit type	Manual
Plumbing kit	No
Tap holes	2 - pre drilled
Soap dispenser hole	Yes - pre drilled