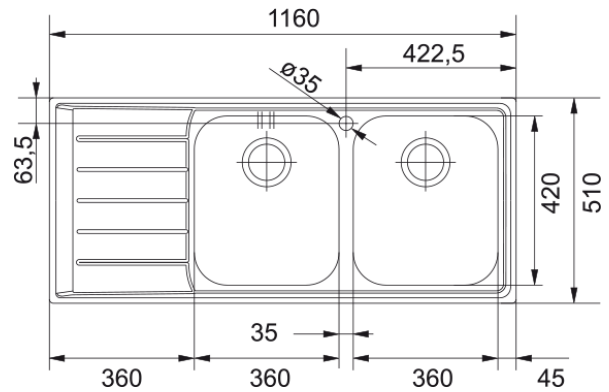


Neptune Double Bowl Sink NEX 621 LHD | 101.0059.636



Technical Data

Aspect

Sink type	Sink (w/ drainer)
Material type	Stainless steel
Number of bowls	2
Colour	Steel
Finish	Brushed

Dimensions

Overall length	1160.0
Overall depth	510.0
Length	360.0
Depth	420.0
Height	190.0
Bowl 2: length	360.0
Bowl 2: Width	420.0
Bowl 2: height	190.0
Cutout inset: right to left	1140.0
Cutout inset: front to back	490.0

Installation

Cabinet size	80 cm
--------------	-------

Product features

Installation type	Topmount
Waste outlet	3 1/2"
Position of drainer	Left hand side drainer

Product identification

Brand	FRANKE
Product family	Maris
Range	Neptune

Properties

Features

Drainer	1
Reversible	No
Tap ledge	Yes
Waste kit	Yes
Waste kit type	Manual
Plumbing kit	No
Tap holes	1
Soap dispenser hole	No