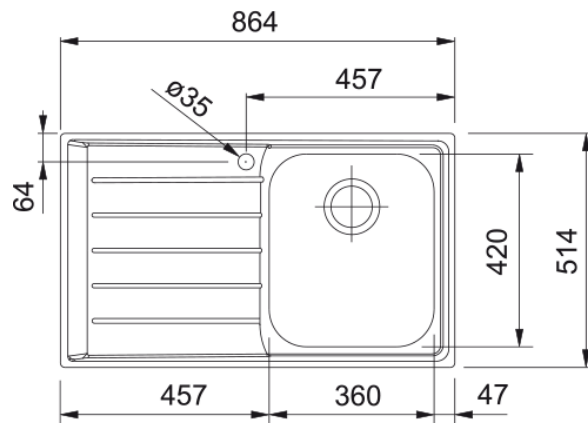


# Neptune Single Bowl Sink NEX 611 LHD | 101.0059.085



## Technical Data

### Aspect

Sink type	Sink (w/ drainer)
Material type	Stainless steel
Number of bowls	1
Colour	Steel
Finish	Brushed

### Dimensions

Overall length	860.0
Overall depth	510.0
Length	360.0
Depth	420.0
Height	190.0
Cutout inset: right to left	840.0
Cutout inset: front to back	490.0

### Installation

Cabinet size	40 cm
--------------	-------

### Product features

Installation type	Topmount
Waste outlet	3 1/2"
Position of drainer	Left hand side drainer

### Product identification

Brand	FRANKE
Product family	Maris
Range	Neptune

### Properties

Drainer	1
Reversible	No
Tap ledge	Yes

## Features

Waste kit	Yes
Waste kit type	Manual
Plumbing kit	No
Tap holes	1
Soap dispenser hole	No