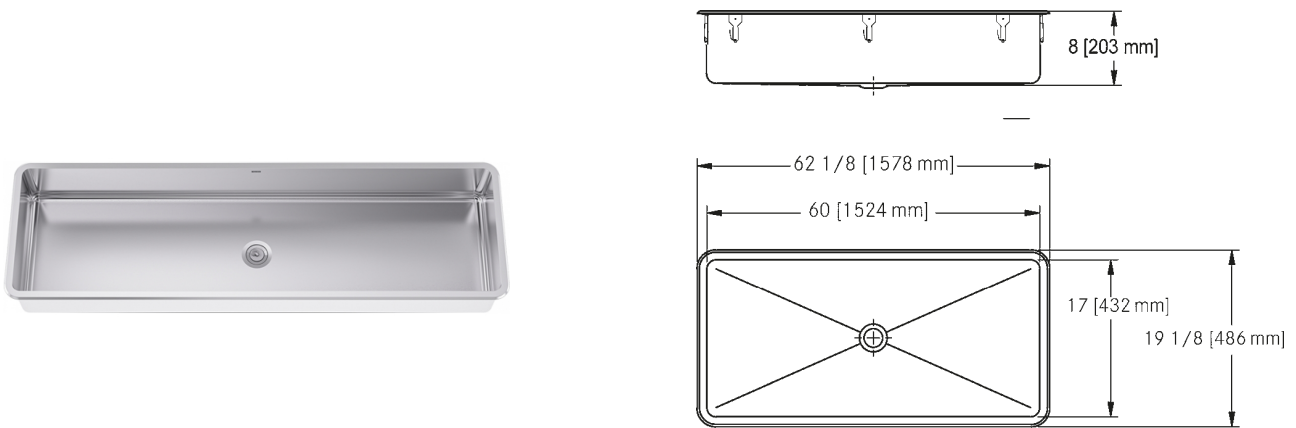


ART60-3C Art room sink, 1.5" waste, 60" | 253.0221.177



Single compartment self rimming topmount sink less faucet ledge. 18 gauge (1.2 mm), type 304 (CNS 18/10) stainless steel. Exposed surfaces are #4 satin finished. Undercoated to reduce condensation and resonance. Includes waste fitting, factory applied rim seal, and factory installed EZ TORQUE™ fasteners. Certified to ASME A112.19.3-2008 / CSA B45.4-08. Centre waste location. Includes 1 1/2" (38 mm) duplex waste assembly with rubber stopper and 1 1/2" (DN38) brass tailpiece. 19 1/8 x 62 1/8" Overall. 17 x 60 x 8" Bowl. (FB x LR x D). 486 x 1578 mm Overall. 432 x 1524 x 203 mm Bowl. (FB x LR x D).

Product Dimensions

Overall front to back	19.134
Overall left to right	62.126
Bowl dimension front to back	17.008
Bowl dimension left to right	60
Bowl depth	7.992

Installation

Installation type	Topmount
Installation system	EZ Torque

Product specifications

Gauge	18
Certification	cUPC
Type of material	Type 304
Material code	CNS 18/10
Surface finish	#4 Satin
Number of bowls	1
Faucet ledge position	No
Waste location	Center
Waste size	1 1/2" (38mm)
Tailpiece diameter (in)	1 1/2" (38mm)

Product identification

Model	ART60-3C
Brand	FRANKE
Product category	Classroom sinks

Features

Waste assembly	Included
----------------	----------

Waste fitting

Duplex waste with stopper