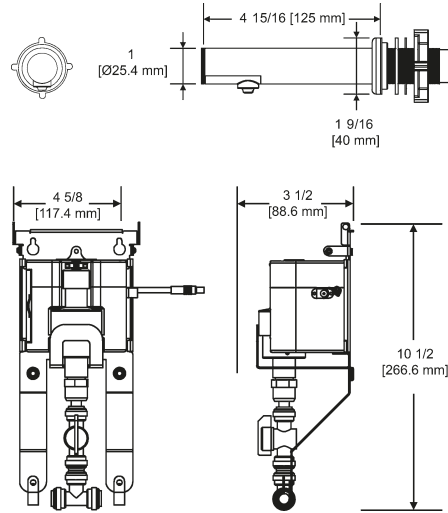


SD01-001SFL-MF Soap dispenser, multifeed | 201.0663.086



Multi-feed wall mount foam soap dispenser, straight body, with light ring, satin. 6L soap tank sold separately.

Product Dimensions

Overall front to back	4.921
Overall left to right	1.575
Overall height	1.575

Installation

Installation type	Wallmounted
-------------------	-------------

Product specifications

Type of material	Type 304
Type of soap	Foam
Soap container	SD01-MFT sold separately
Certification	cUPC
Surface finish	Satin
Type of operation	Hands free
Type of sensor	Infrared

Product identification

Model	SD01-001SFL-MF
Brand	FRANKE
Product category	Washroom accessories
Washroom accessories category	Multi-feed soap dispensers