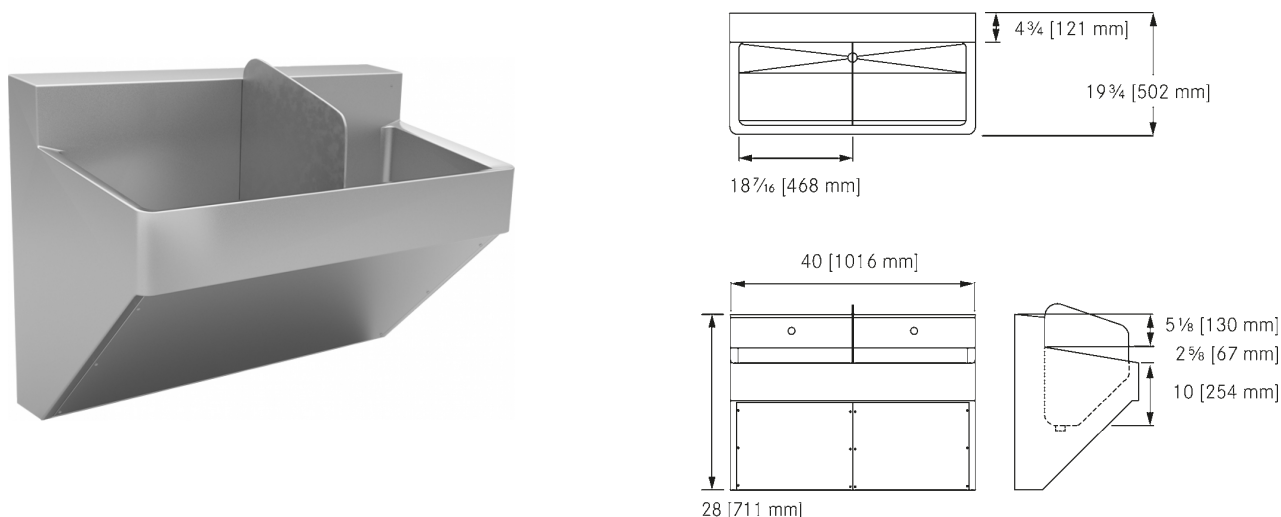


SSU2-2040-00 Scrub sink, 2 compartment | 218.0706.482



Double compartment premium surgical scrub station. 16 gauge (1.5 mm), type 304 (CNS 18/10) stainless steel. Polished #4 satin finish. Radius coved bowl corners. Access panel for service and maintenance. Integral 1 1/2" (38 mm) threaded tailpiece. Supplied with wall hanger brackets. Surface treated with silver ion product protection. Standard hole drilling is 1 1/8" (28 mm) diameter. 2 1/2" (64 mm) below backsplash crease. Certified to ASME A112.19.3-2008 / CSA B45.4-08. Please allow 6-8 weeks for delivery. Design Features: Surgical scrub stations designed with sloped edges to minimize free-standing water. Special integral waste design to prevent use of a waste plug, with 1 1/2" threaded tailpiece for use with offset waste. Silver ion product protection is effective against most common bacteria, yeasts, molds and fungi that cause stains, odors and product deterioration. Silver ion product protection is designed to protect the product itself and will not protect the user or others from food-borne illness or disease. Always follow proper hygienic and cleaning procedures when using this product. 40" (1016 mm) overall width with 37 1/2" (953 mm) wide sink compartment. 19 3/4 x 40" Overall. 13 1/2 x 37 1/2 x 10" Bowl. (FB x LR x D). 502 x 1016 mm Overall. 343 x 953 x 254 mm Bowl. (FB x LR x D).

Product Dimensions

Overall front to back	19.764
Overall left to right	40
Overall height	27.992
Bowl dimension front to back	13.465
Bowl dimension left to right	37.48
Bowl depth	10

Installation

Installation type	Wallmounted
Installation system	Wall hanger bracket
Recommended wall carrier	IWC2203 sold separately

Product specifications

Gauge	16
Waste location	Center back
Waste size	1 1/2" (38mm)
Type of material	Type 304
Certification	cUPC
Material code	CNS 18/10
Surface finish	#4 Satin
Number of bowls	2
Faucet ledge position	Yes
Number of faucet holes	Specify when ordering

Tailpiece diameter (in)	1 1/2" (38mm) threaded
Product identification	
Model	SSU2-2040-00
Brand	FRANKE
Product category	Healthcare
Healthcare category	Surgical scrub sinks
Features	
Waste assembly	Integral
Waste fitting	Welded