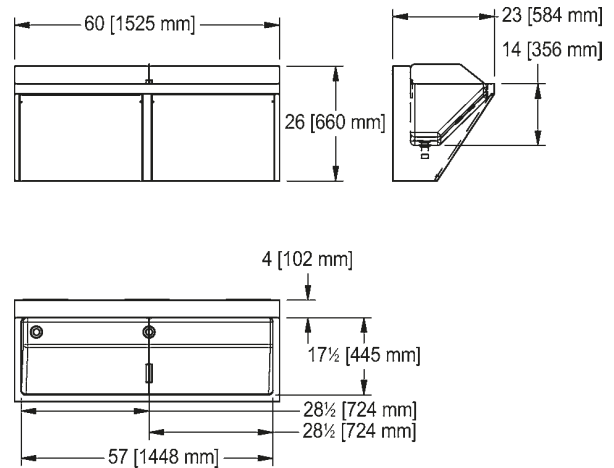


SSU2-10 Scrub Sink kit | 214.0493.242



Double compartment surgical scrub station. 16 gauge (1.5 mm), type 304 (CNS 18/10) stainless steel. Polished #4 satin finish. Radius coved bowl corners. Franke hygienic waste with integral tailpiece. (No separate waste fitting required) Access panel for service and maintenance. Removable divider. Please specify hole drilling requirement when ordering. Supplied with wall hanger brackets. Certified to ASME A112.19.3-2008 / CSA B45.4-08. 4" (100mm) backsplash. SSU2-10, AC powered hands-free faucets, Franke Aquarius AT03-043AC high polish finish (2 pieces), MIX-LF, thermostatic mixing valves (2 pieces). 23 x 60" Overall. 17 1/2 x 57 x 12" Bowl. (FB x LR x D). 584 x 1524 mm Overall. 445 x 1448 x 305 mm Bowl. (FB x LR x D).

Product Dimensions

Overall front to back	22.992
Overall left to right	60.039
Overall height	25.984
Bowl dimension front to back	17.52
Bowl dimension left to right	57.008
Bowl depth	14.016

Installation

Installation type	Wallmounted
Installation system	Wall hanger bracket

Product specifications

Gauge	16
Flow rate litres	6 Lpm
Type of operation	Hands free
Type of mixing	Mixed
Type of faucet	Deck mount
Waste location	Left rear
Waste size	1 1/2" (38mm)
Type of material	Type 304
Certification	cUPC
Material code	CNS 18/10
Surface finish	#4 Satin
Number of bowls	2
Splash location	Back
Faucet ledge position	Yes

Number of faucet holes	Specify when ordering
Tailpiece diameter (in)	1 1/2" (38mm)
Product identification	
Model	SSU2-10
Brand	FRANKE
Product category	Healthcare
Healthcare category	Scrub sink bundles
Features	
Waste assembly	Integral
Waste fitting	Welded
Surgical sink bundle	Yes
Faucet model included	HHF180-6L (2 pc)
Bundle mixing valve	MIX-LF (2 pc)