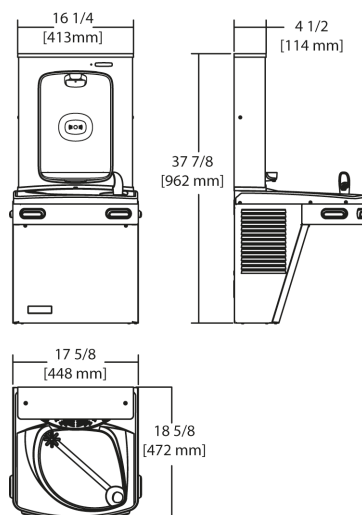


KEPAC-EBF-GRY Combination, sensor, grey | 213.0670.161



Combination sports bottle filler. Sports bottle filler cabinet finish is brushed stainless steel. Waterways are lead-free in materials and construction. Surface mount frame assembly. Units have built-in 100 micron strainer stops particles before they enter the waterway. One piece stainless steel top. Low flow bubbler with flexible guard. Heavy duty galvanized steel frame. Unit will comply with wheelchair accessibility when properly installed. Product Certified to NSF/ANSI Standard 61, Annex G (weighted average lead content of 0.25% or less). Models covered by this specification comply with all known Plumbing Codes. Listed by Underwriters' Laboratories to U.S. and Canadian standards. Greystone finish fountain cabinet. Sensor activated sports bottle filler with bottle counter. Optional filter kit F041253-001. 18 9/16 x 18 7/16 x 37 13/16" Overall (FB x LR x H). 472 x 469 x 960 mm Overall (FB x LR x H).

Product Dimensions

Overall front to back	18.583
Overall left to right	17.638
Overall height	37.795

Installation

Wall mounting type	Wall mounting
Recommended wall carrier	IWC2203

Product specifications

Outlet size	DN32 / 1 1/4"
Inlet size	DN10 / 3/8"
Input supply voltage Hz	60.0
Input supply voltage V	115.0
Wheelchair accessibility	Yes
Certification	NSF
Certification	CSA
Certification	UL

Product identification

Model	KEPAC-EBF-GRY
Brand	FRANKE
Product category	Drinking fountains
Drinking fountain type	Fountain bottle filler combo

Features

Cabinet finish	Greystone
Type of operation	Sensor

Drinking bubbler	Yes
Bottle filler included	Yes