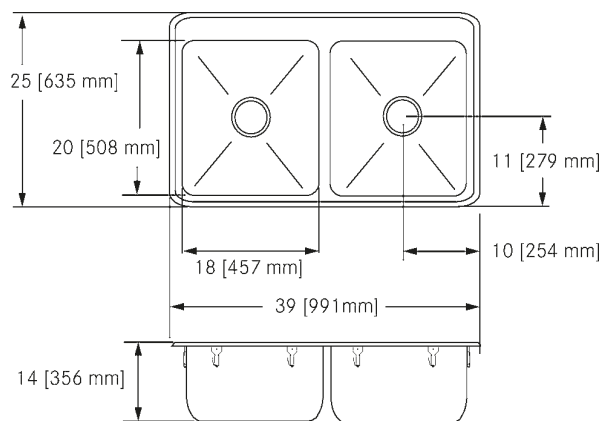


## LBD0814P-1 Single bowl topmount, 18 ga | 207.0705.262



Double compartment self rimming topmount sink with faucet ledge. 18 gauge (1.2 mm), type 304 (CNS 18/10) stainless steel. Exposed surfaces are #4 satin finished. Undercoated to reduce condensation and resonance. Includes waste fittings, factory applied rim seal, cutout template, and factory installed EZ TORQUE™ fasteners. Certified to ASME A112.19.3-2008 / CSA B45.4-08. Centre waste location. Includes 3 1/2" (89 mm) crumb cup strainer with 1 1/2" (DN38) brass tailpiece. Model Options, specify when ordering: LBD0814P-1-1, 1 faucet hole, 1 1/2" diameter. LBD0814P-1-3, 3 faucet holes, 1 1/2" diameter, 4" centres, 8" centreset. LBD0814P-1, Custom (non-returnable). LBD0814P-1-4, 4 faucet holes total, 1 1/2" diameter, 4" centres, 8" centreset, plus 1 faucet hole 4" to the right (non-returnable). 25 x 39" Overall. 20 x 18 x 14" Bowl. (FB x LR x D). 635 x 991 mm Overall. 508 x 457 x 356 mm Bowl. (FB x LR x D).

### Product Dimensions

Overall front to back	25
Overall left to right	39.016
Bowl dimension front to back	20
Bowl dimension left to right	17.992
Bowl depth	14.016

### Installation

Installation type	Topmount
Installation system	EZ Torque

### Product specifications

Gauge	18
Certification	cUPC
Type of material	Type 304
Material code	CNS 18/10
Surface finish	#4 Satin
Number of bowls	2
Faucet ledge position	Yes
Number of faucet holes	Specify when ordering
Waste location	Center
Waste size	3 1/2" (89mm)
Tailpiece diameter (in)	1 1/2" (38mm)

### Product identification

Model	LBD0814P-1
Brand	FRANKE

Product category	Stainless steel sinks
<b>Features</b>	
Waste assembly	Included
Waste fitting	Crumb cup waste assembly