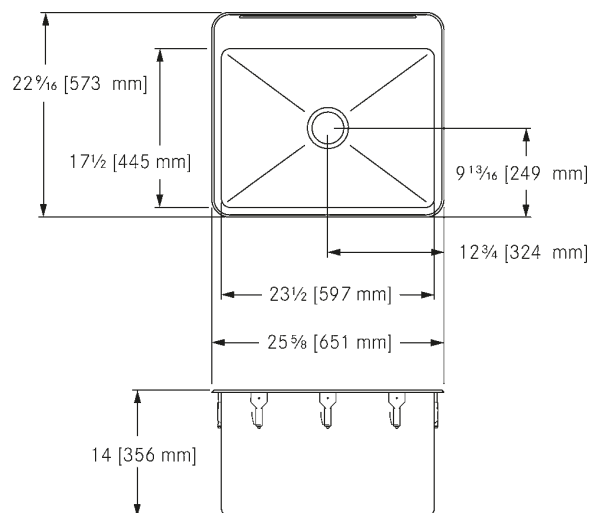


LBS7314P-1 Single bowl topmount sink | 207.0682.442



Single compartment self rimming topmount sink with faucet ledge. 18 gauge (1.2 mm), type 304 (CNS 18/10) stainless steel. Exposed surfaces are #4 satin finished. Undercoated to reduce condensation and resonance. Includes waste fitting, factory applied rim seal, cutout template, and factory installed EZ TORQUE™ fasteners. Certified to ASME A112.19.3-2008 / CSA B45.4-08. Centre waste location. Includes 3 1/2" (89 mm) crumb cup strainer with 1 1/2" (DN38) brass tailpiece. Model Options, specify when ordering: LBS7314P-1-1, 1 faucet hole, 1 1/2" diameter. LBS7314P-1-3, 3 faucet holes, 1 1/2" diameter, 4" centres, 8" centreset. LBS7314P-1, Custom (non-returnable). 22 9/16 x 25 5/8" Overall. 17 1/2 x 23 1/2 x 14" Bowl. (FB x LR x D). 573 x 651 mm Overall. 445 x 597 x 356 mm Bowl. (FB x LR x D).

Product Dimensions

Overall front to back	22.559
Overall left to right	25.63
Bowl dimension front to back	17.52
Bowl dimension left to right	23.504
Bowl depth	14.016

Installation

Installation type	Topmount
Installation system	EZ Torque

Product specifications

Gauge	18
Certification	cUPC
Type of material	Type 304
Material code	CNS 18/10
Surface finish	#4 Satin
Number of bowls	1
Faucet ledge position	Yes
Number of faucet holes	Specify when ordering
Waste location	Center
Waste size	3 1/2" (89mm)
Tailpiece diameter (in)	1 1/2" (38mm)

Product identification

Model	LBS7314P-1
Brand	FRANKE

Product category	Stainless steel sinks
Features	
Waste assembly	Included
Waste fitting	Crumb cup waste assembly