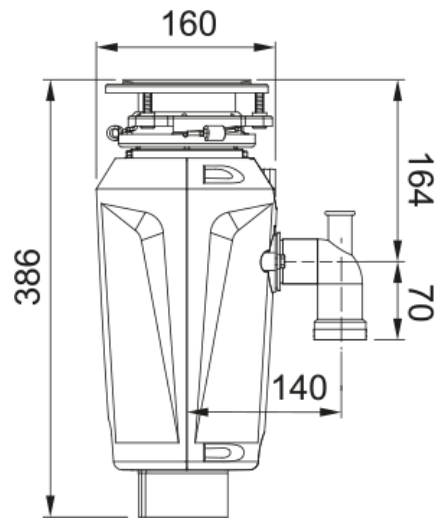


Slim 100 Food Waste Disposer | 134.0730.303



Slim 100 Food Waste Disposer, 1 HP, Continuous Feed, Permanent Magnet DC Motor, Motor Speed 2750 RPM. 2 Year Warranty.

Product Information

Product type Food waste disposer

Energy specifications

Voltage 220-240 V

Product identification

Product brand FRANKE

Product family Mythos

Model range Elite Slimline

Properties

Horse power waste disposer 1 HP

Motor speed 2750.0

Waste disposer motor type Permanent magnet

Feed type Continuous