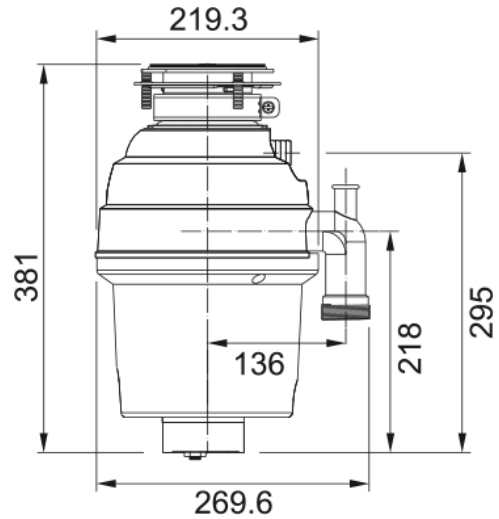


Waste Disposer 3/4 HP with Air Switch | 134.0481.335



Franke 3/4 Horsepower Continuous Feed Waste Disposer 2700 RPM High Torque Dual Magnetic Motor in Grey. With Integrated Air Switch

Product Information

Product type Food waste disposer

Energy specifications

Voltage 220 V

Product identification

Product brand FRANKE

Product family None

Model range Disposer

Properties

Horse power waste disposer 3/4 HP