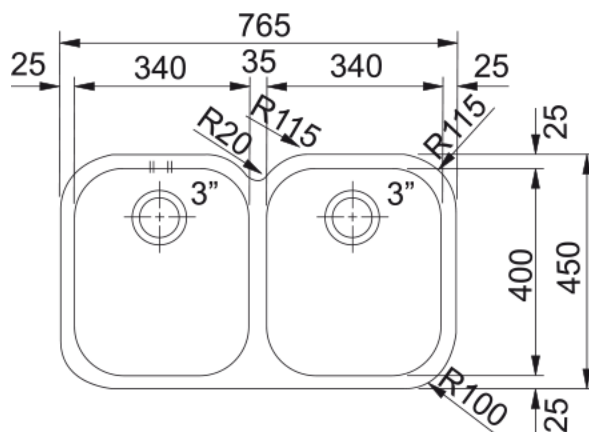


## AMX 120 3 1/2" WWK ND Satin bowls | 122.0021.446



AMX 120 765x450mm, no drainer, satin bowls, 3 1/2", with waste kit, box

### Product Information

Sink type	Bowl (no drainer)
Type of material	Stainless steel
Number of bowls	2
Color	Steel
Finish	Brushed

### Dimensions

External size: right to left	765.0
External size: front to back	450.0
Bowl 1 size: right to left	340.0
Bowl 1 size: front to back	400.0
Bowl 1: depth	190.0
Bowl 2 size: right to left	340.0
Bowl 2 size: front to back	400.0
Bowl 2: depth	190.0

### Installation

Minimum cabinet size	90 cm
----------------------	-------

### Product specifications

Installation type	Undermount
Waste outlet	3 1/2"
Position of drainer	No drainer

### Product identification

Product brand	FRANKE
Product family	Smart
Model range	Armonia
Approval logo	CE

### Properties

Drainers number	No drainer
-----------------	------------

Product reversibility	no
Tap ledge	No
Waste kit included	yes
Waste kit type	manual
Siphon included	no
Number of tap holes	None
Soap dispenser hole	no